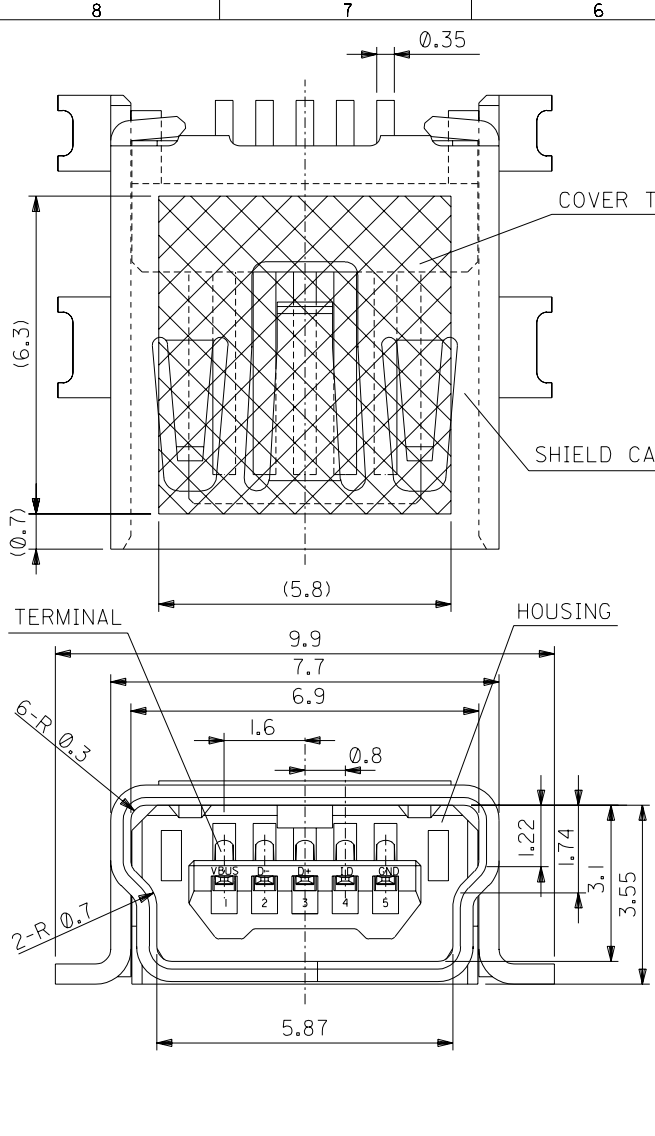


DWG. NO. SD-54819-027



注記 1. 材質
NOTES MATERIAL

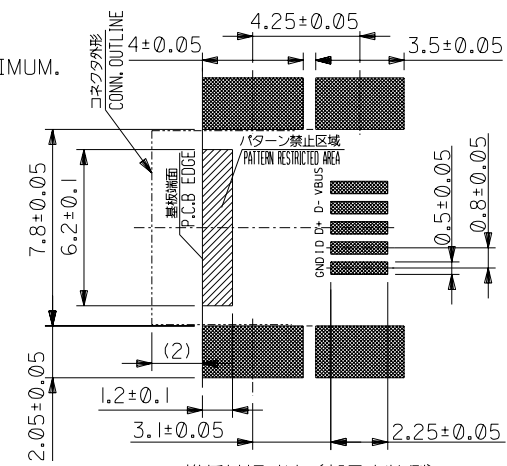
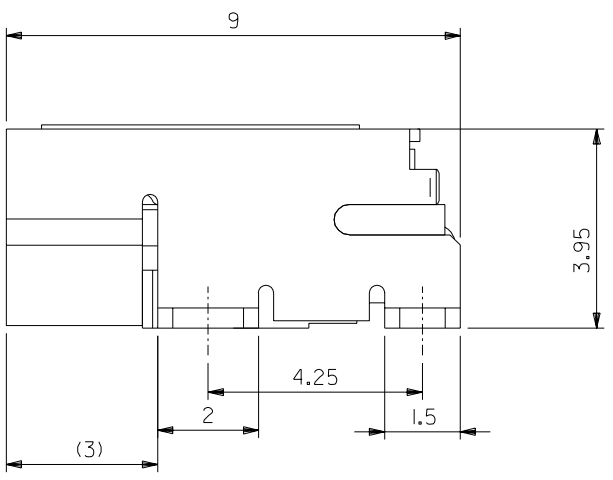
ハウジング: ポリフタルアミド ガラス充填, 黒色, UL 94V-0
HOUSING: POLYPHTHAL AMIDE GLASS FILLED, BLACK, UL 94V-0
ターミナル: 銅合金 (t=0.2)
TERMINAL: COPPER ALLOY (t=0.2)
シールド ケース: 銅合金 (t=0.4)
SHIELD CASE: COPPER ALLOY (t=0.4)
カバー テープ: ポリイミド (t=0.08)
COVER TAPE: POLYIMIDE (t=0.08)

2. メッキ仕様
PLATING

ターミナル
TERMINAL
接点部: 金メッキ 0.75μm MIN.
CONTACT AREA: GOLD 0.75 MICROMETER MINIMUM.
半田付け部: 錫メッキ 1.0μm MIN.
SOLDER TAIL AREA: TIN 1.0 MICROMETER MINIMUM.
下地部: ニッケルメッキ 4.0μm MIN.
UNDER PLATING: NICKEL 4.0 MICROMETER MINIMUM.
シールド ケース
SHIELD CASE
: 錫メッキ 1.0μm MIN.
: TIN 1.0 MICROMETER MINIMUM.
下地部: ニッケルメッキ 4.0μm MIN.
UNDER PLATING: NICKEL 4.0 MICROMETER MINIMUM.

3. テール、ネイル平坦度は0.1mm MAX.
TAIL, NAIL COPLANARITY 0.1mm MAX.
4. 本製品は54819-0571の鉛フリー品である。
THIS PRODUCT IS LEAD FREE OF 54819-0571.

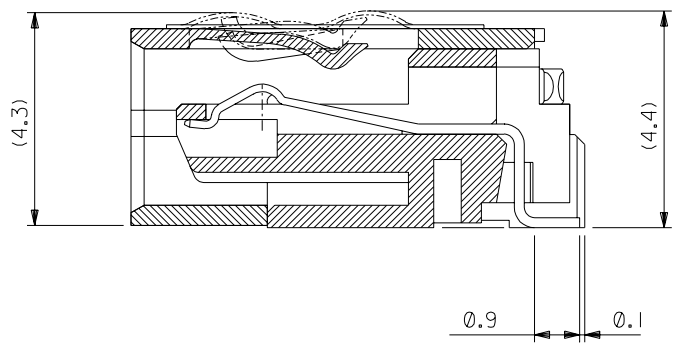
164 NO. DRAWN: CH'K: APPR: 163 NO. DRAWN: CH'K: APPR: 162 NO. DRAWN: CH'K: APPR: 161 NO. DRAWN: CH'K: APPR:	RELEASED 160 NO. J2004-4374 DRAWN: H. KAWABATA '04/05/21 CH'K: K. TOJO '04/05/21 APPR: M. SASAO '04/05/21	MATERIAL 材料 SEE NOTES	GENERAL TOLERANCES: (UNLESS SPECIFIED) 一般公差	SCALE 10 : 1	MODEL NO. 54819-**-79	DIMENSIONS: <input type="checkbox"/> mm <input type="checkbox"/> INCH <input checked="" type="checkbox"/> mm ONLY	SHT REV
WIRE RANGE 適用線径範囲	FINISH 仕上げ SEE NOTES	10 UNDER 未満 ±0.2 10 OVER 以上 30 UNDER 未満 ±0.25 30 OVER 以上 ±0.3	DRAWN BY & DATE H. KAWABATA '04/05/21 CHECKED BY & DATE K. TOJO '04/05/21 APPROVED BY & DATE H. Saito '04/05/21	DESIGN UNITS <input checked="" type="checkbox"/> mm <input type="checkbox"/> INCH	TITLE: USB SERIES MINI-B RECEPTACLE ASS'Y FOR SMT -LEAD FREE-	MOLEX MOLEX INCORPORATED	SHEET NO. 1 OF 2
INS. RANGE 被覆外径	CAD FILENAME SD-54819-027.S01	ANGLE 角度 ±3°	CAD FILENAME SD-54819-027.S01	MATERIAL NO. SEE CHART	DRAWING NO. SD-54819-027	MOLEX MOLEX INCORPORATED	SIZE B



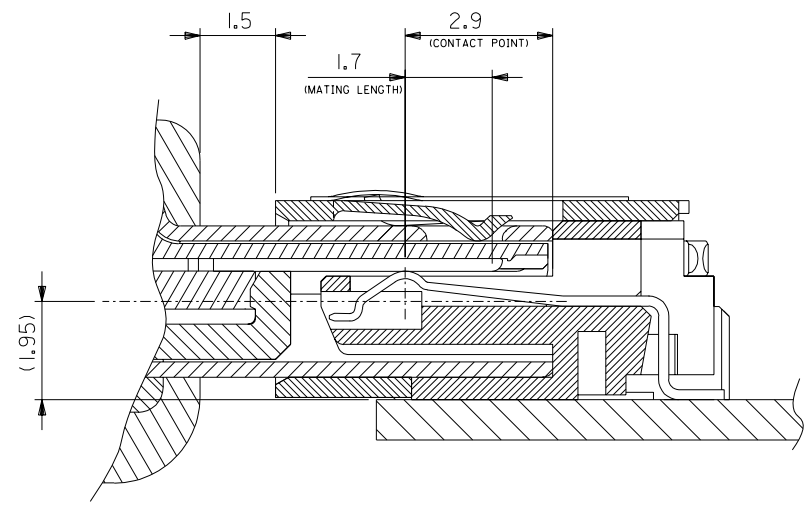
推奨基板寸法 (部品実装側)
RECOMMENDED P.C.B. PATTERN LAYOUT (PART MOUNT SIDE)

DO NOT SCALE DRAWING

DWG. NO. SD-54819-027



SECTION



MATING

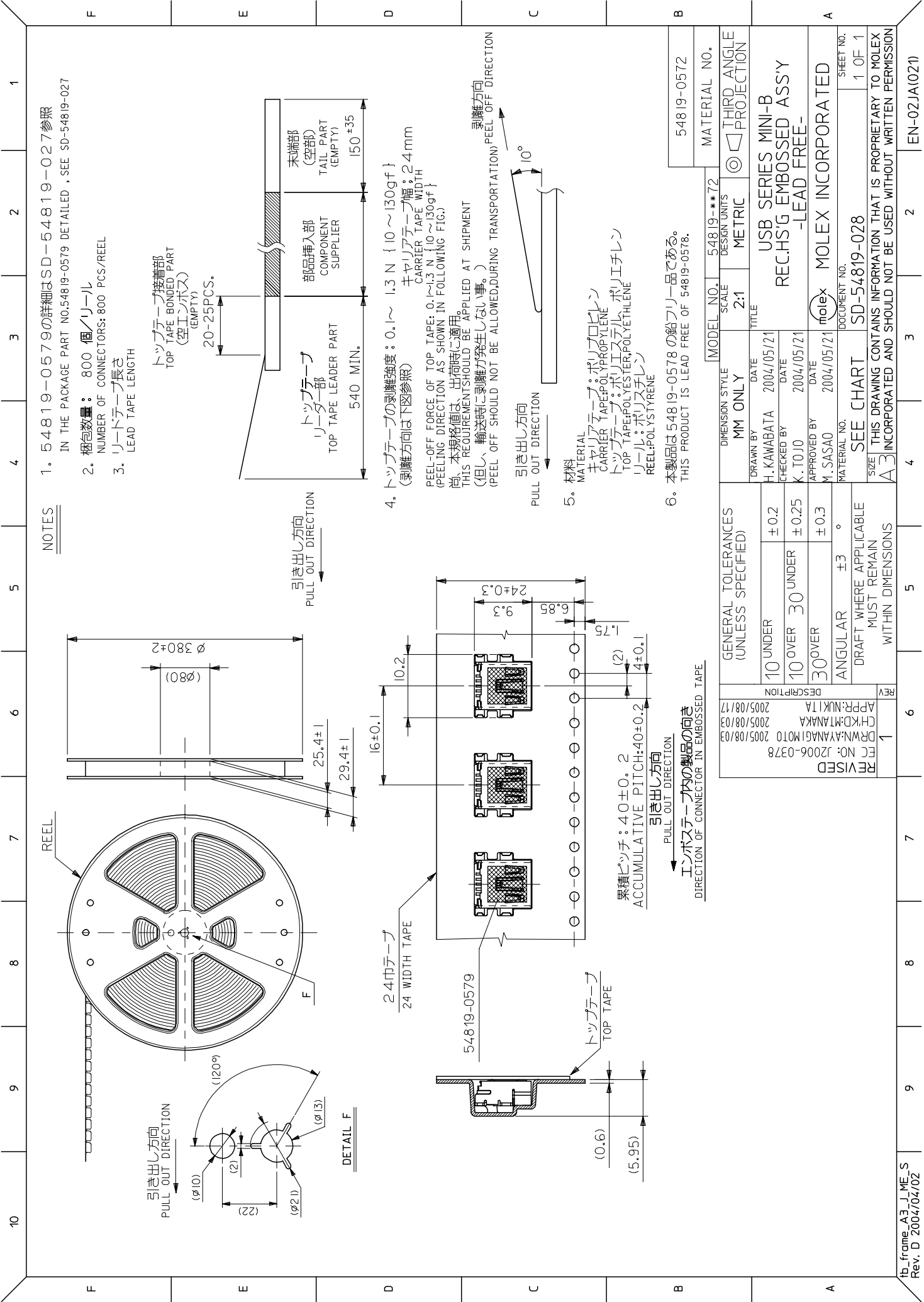
DO NOT SCALE DRAWING

664 NO. DRWN: CH'K: APPR:	63 NO. DRWN: CH'K: APPR:	62 NO. DRWN: CH'K: APPR:	61 NO. DRWN: CH'K: APPR:	60 NO. DRWN: CH'K: APPR:
SEE SHEET 1				

MATERIAL 材料 SEE NOTES
FINISH 仕上り SEE NOTES
WIRE RANGE 適用電線範囲 #
INS. RANGE 被覆外径 #

GENERAL TOLERANCES: (UNLESS SPECIFIED) 一般公差	10 UNDER 未滿 ±0.2	10 OVER 30 UNDER 以上 未滿 ±0.25	30 OVER 以上 ±0.3
WIRE RANGE 適用電線範囲 #	ANGLE 角度 ±3°		

MODEL NO. 54819-***79	DIMENSIONS: <input type="checkbox"/> mm <input type="checkbox"/> INCH <input checked="" type="checkbox"/> mm ONLY	SHT 2	REV B
SCALE 10 : 1	DESIGN UNITS <input checked="" type="checkbox"/> mm <input type="checkbox"/> INCH	THIRD ANGLE PROJECTION	
DRAWN BY & DATE H. KAWABATA '04/05/21	TITLE: USB SERIES MINI-B RECEPTACLE ASS'Y FOR SMT		
CHECKED BY & DATE K. TOJO '04/05/21	-LEAD FREE-		
APPROVED BY & DATE M. Sudo '04/05/21	MOLEX INCORPORATED		
CAD FILENAME SD-54819-027.S02	MATERIAL NO. SEE CHART	DRAWING NO. SD-54819-027	SHEET NO. 2
THIS DRAWING CONTAINS INFORMATION THAT IS PROPRIETARY TO MOLEX INCORPORATED AND SHOULD NOT BE USED WITHOUT WRITTEN PERMISSION.			SIZE B



NOTES

- 54819-0579の詳細はSD-54819-027参照
IN THE PACKAGE PART NO.54819-0579 DETAILED, SEE SD-54819-027
- 梱包数量: 800 個/リール
NUMBER OF CONNECTORS: 800 PCS/REEL
- リードテープ長さ
LEAD TAPE LENGTH

トップテープ接着部
TOP TAPE BONDED PART
(空エンボス)
(EMPTY)
20~25PCS.

引き出し方向
PULL OUT DIRECTION

DETAIL F

- トップテープの剥離強度: 0.1~1.3 N (10~130gf)
キャリアテープ幅: 2.4mm
PEEL-FORCE OF TOP TAPE: 0.1~1.3 N (10~130gf)
CARRIER TAPE WIDTH: 2.4mm
(PEELING DIRECTION AS SHOWN IN FOLLOWING FIG.)
尚、本規格値は、出荷時に適用。
THIS REQUIREMENT SHOULD BE APPLIED AT SHIPMENT
(但し、輸送時に剥離が発生しない事)
(PEEL OFF SHOULD NOT BE ALLOWED DURING TRANSPORTATION)

材料
MATERIAL
モレックス: ポリプロピレン
CARRIER TAPE: POLYPROPYLENE
トップテープ: ポリエステル, ポリエチレン
リール: ポリスチレン
REEL: POLYSTYRENE

- 本製品は 54819-0578 の鉛フリー品である。
THIS PRODUCT IS LEAD FREE OF 54819-0578.

MODEL NO.	54819-0572	DESIGN UNITS	METRIC
SCALE	2:1	TITLE	THIRD ANGLE PROJECTION
DIMENSION STYLE	MM ONLY	DATE	2004/05/21
DRAWN BY	H. KAWABATA	CHECKED BY	K. TOJO
APPROVED BY	M. SASAO	DATE	2004/05/21
MATERIAL NO.	SEE CHART	DOCUMENT NO.	MOLEX INCORPORATED
GENERAL TOLERANCES (UNLESS SPECIFIED)	10 UNDER ±0.2	10 OVER 30 UNDER ±0.25	30 OVER ±0.3
ANGULAR	±3		
DRAFT WHERE APPLICABLE MUST REMAIN WITHIN DIMENSIONS			
REV	DESCRIPTION	DATE	APP. BY
1	FC NO: J2006-0378	2005/08/03	DRWN: AYANAGI/MOTO
	CHKD: M/ANAKA	2005/08/03	
	APPR: NUKI/TA	2005/08/17	

引き出し方向
PULL OUT DIRECTION
エンボステープ内の製品の向き
DIRECTION OF CONNECTOR IN EMBOSSED TAPE