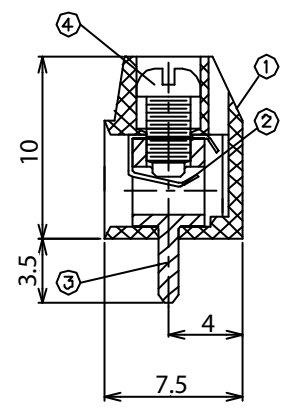
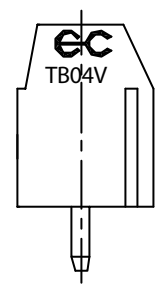
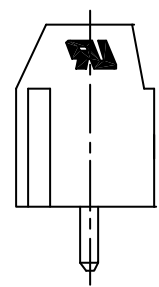
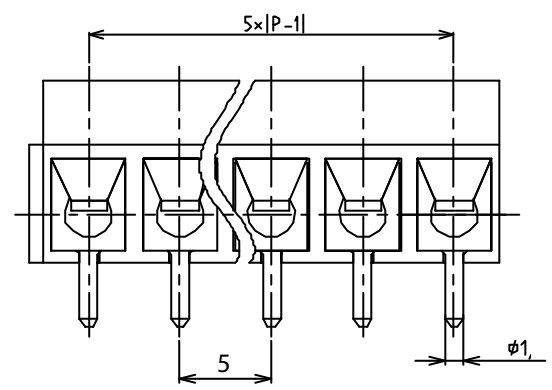
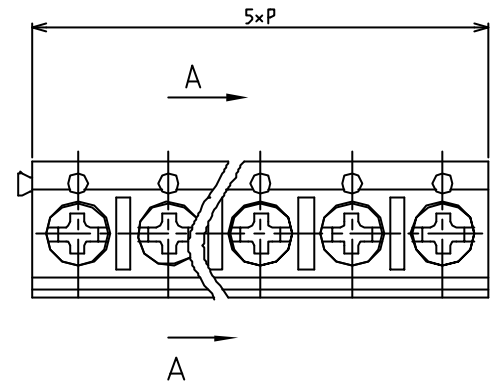


Used for:

- NOTES:
1. Rating: 310V 16A;
PITCH: 5mm
 2. Insulation Withstands Voltage:
AC1001V/MIN
 3. Insulation Resistance:
1100MΩ or more at DC511V
 4. Using Temperature Range:
-40°C--+105°C
 5. Screw Torque Value: 4.4kg-cm
 6. Suitable Electric Wire:
14-21AWG



Pitch range in mm		Nominal dimension range in mm		radius	clearance	slant angle	side	≠	□	∥
to	to	to	to	to	to	to	to	to	to	to
2	16	3	36	0.5	3	11	12	0.2	0.5	1.6
16	24	36	48	0.5	3	11	12	0.2	0.5	1.6

4	Screw	S011113311	Steel	Znc-Plated	
3	Terminal	C1111111111	HPb59-1	Tin-Plated	
2	Clamp	1009M1111	QSn6.5-1.1	Ni-Plated	
1	Housing	1119P01110	PBT G21	GREY	
ITEM	NAME OF PART	NO OF PART	Q'TY	MATERIAL	NDTE
DWG.	CHENR	DATE	2003/11/17	UNITS	MN
CHK.		DATE		SCALE	1:1
APP.		DATE		NAME	20.501M
				DWG NO.	

REV.	CONTENT	CHK.	DATE
------	---------	------	------

