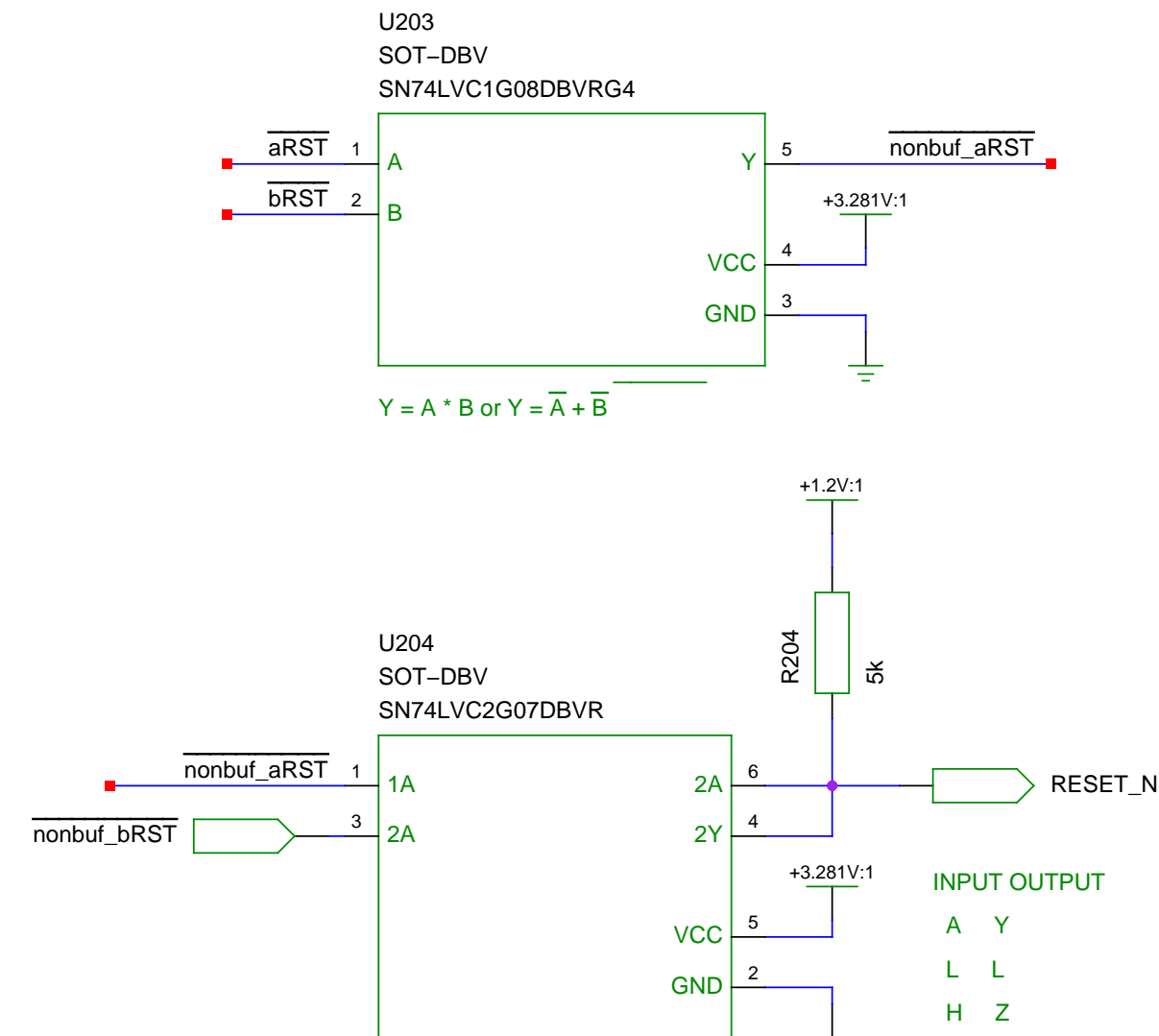
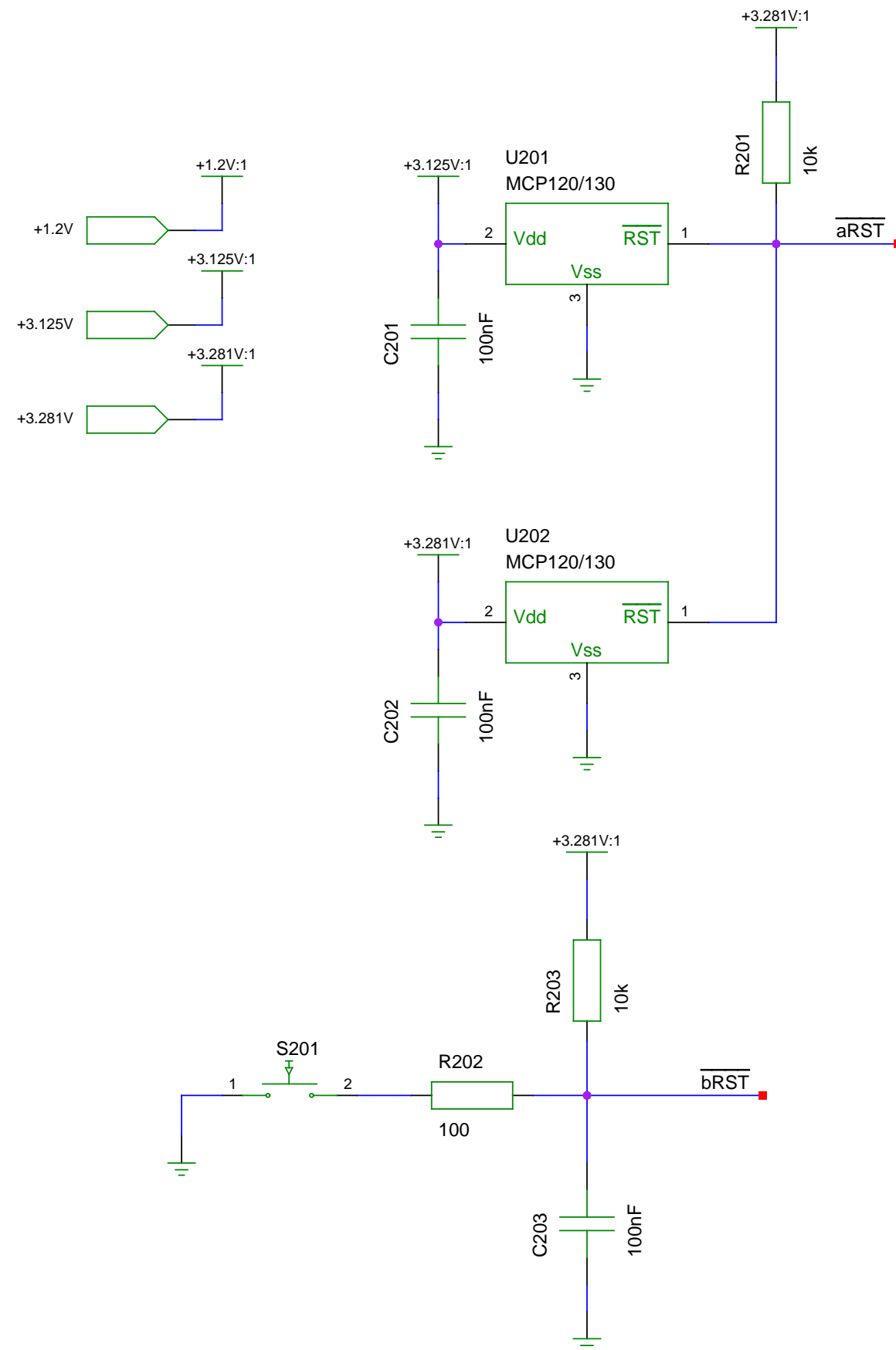
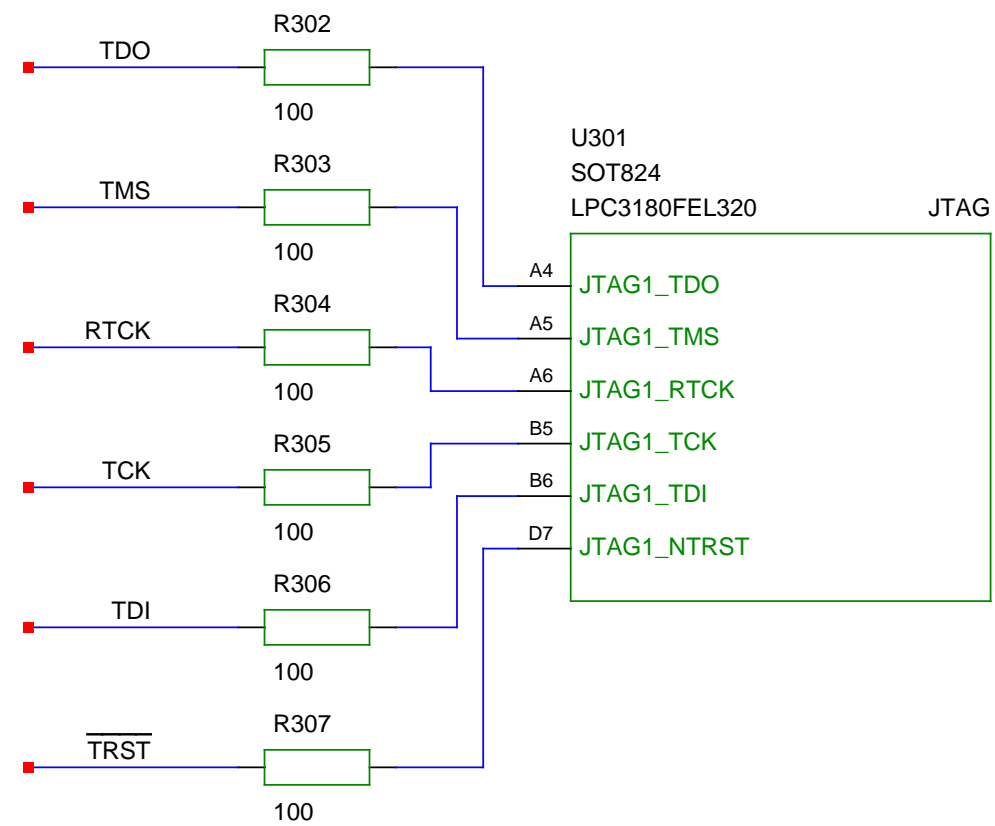
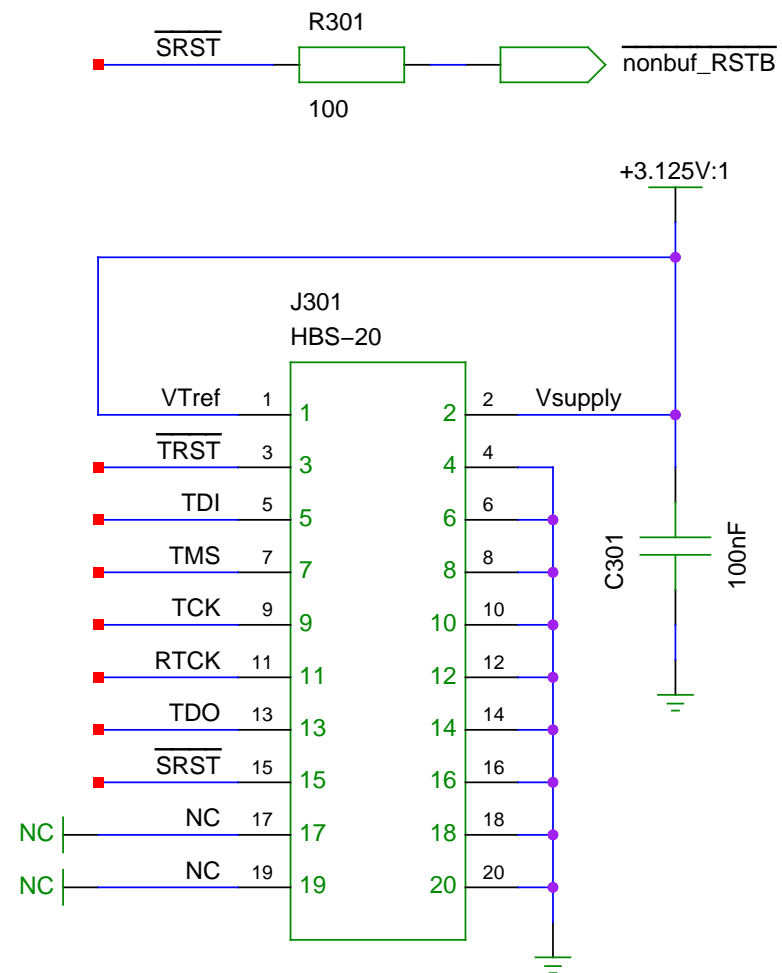


<b>OpenARM SBC Power Supply Design</b> TITLE 2008-08-12 FILE: ../openarm/power-supply.sch PAGE 01 OF 20		<b>PowerCraft Technology</b> Jelle de Jong <jelledejong@powercraft.nl> GPLv3 REVISION: v0.1.3j DRAWN BY: OpenARM SBC Project	
--	--	--	--



There is no supervisory circuit for the +1.2V, this is because I can't find a good and available IC. I combine the supervisors on one reset line, and hope this gives enough reliability. Please see the documentation for more info.

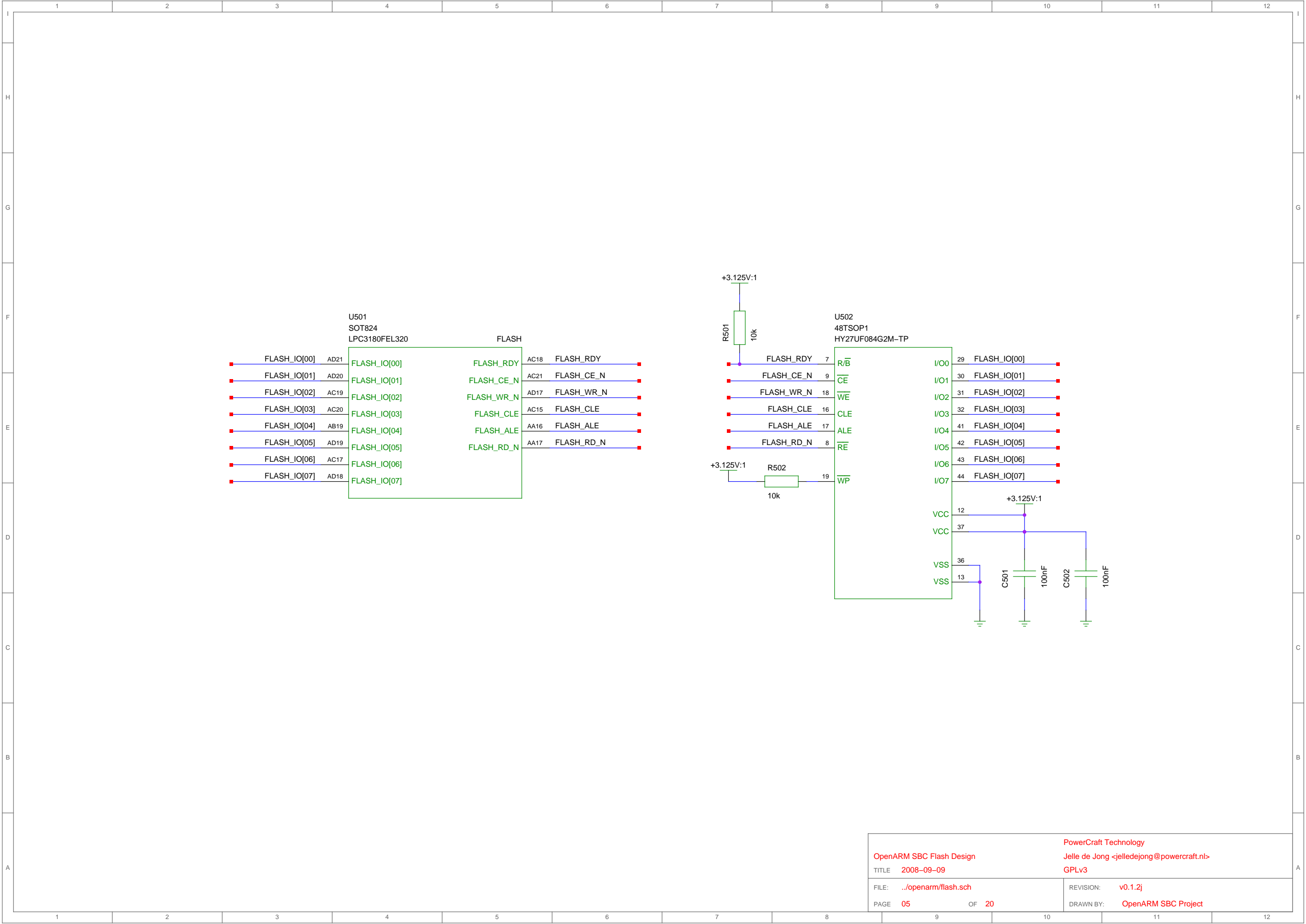
OpenARM SBC Power On Design		PowerCraft Technology	
TITLE 2008-08-13		Jelle de Jong <jelledejong@powercraft.nl>	
FILE: ../openarm/power-on-reset.sch		GPLv3	
PAGE 02	OF 20	REVISION: v0.1.2j	DRAWN BY: OpenARM SBC Project

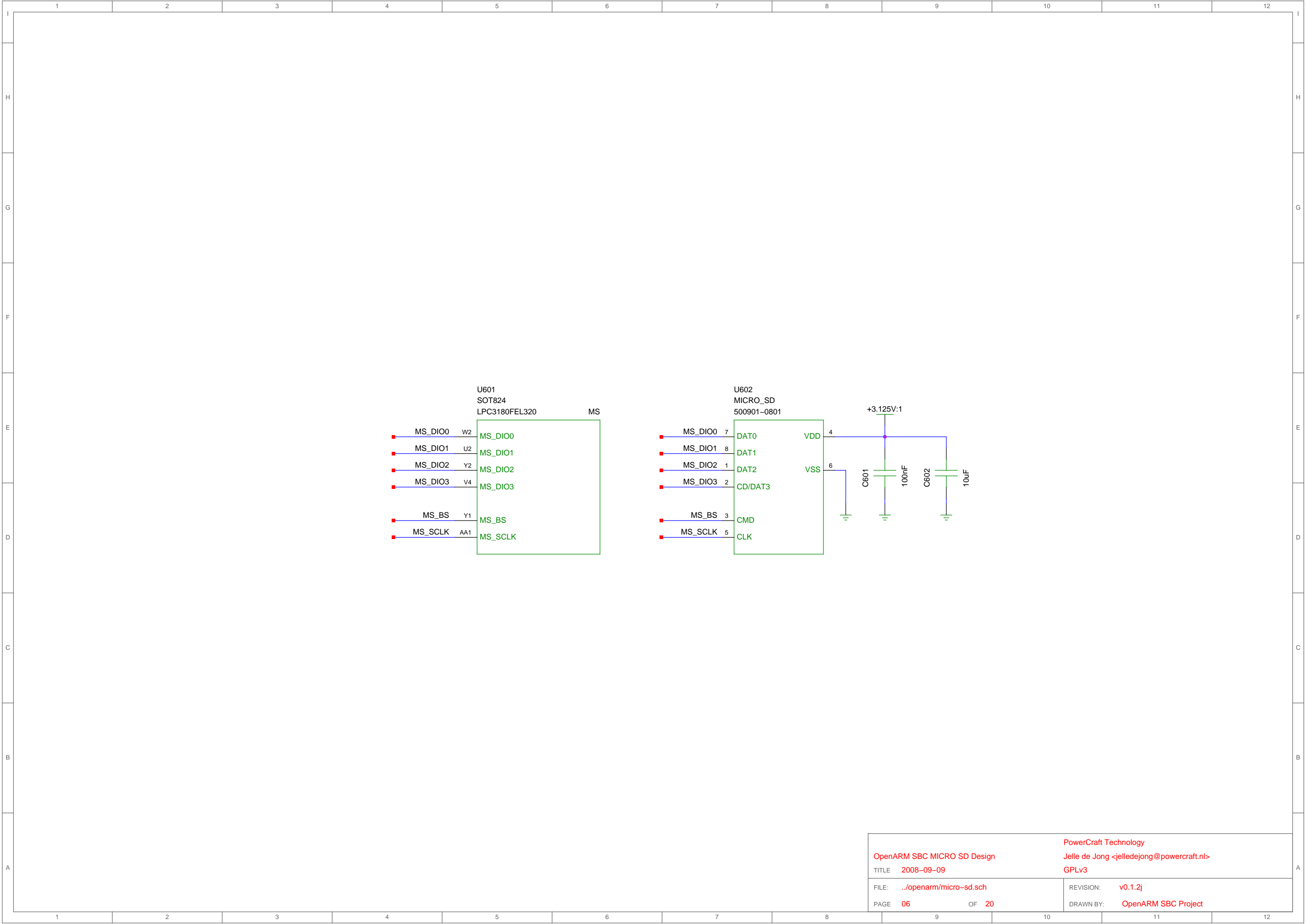


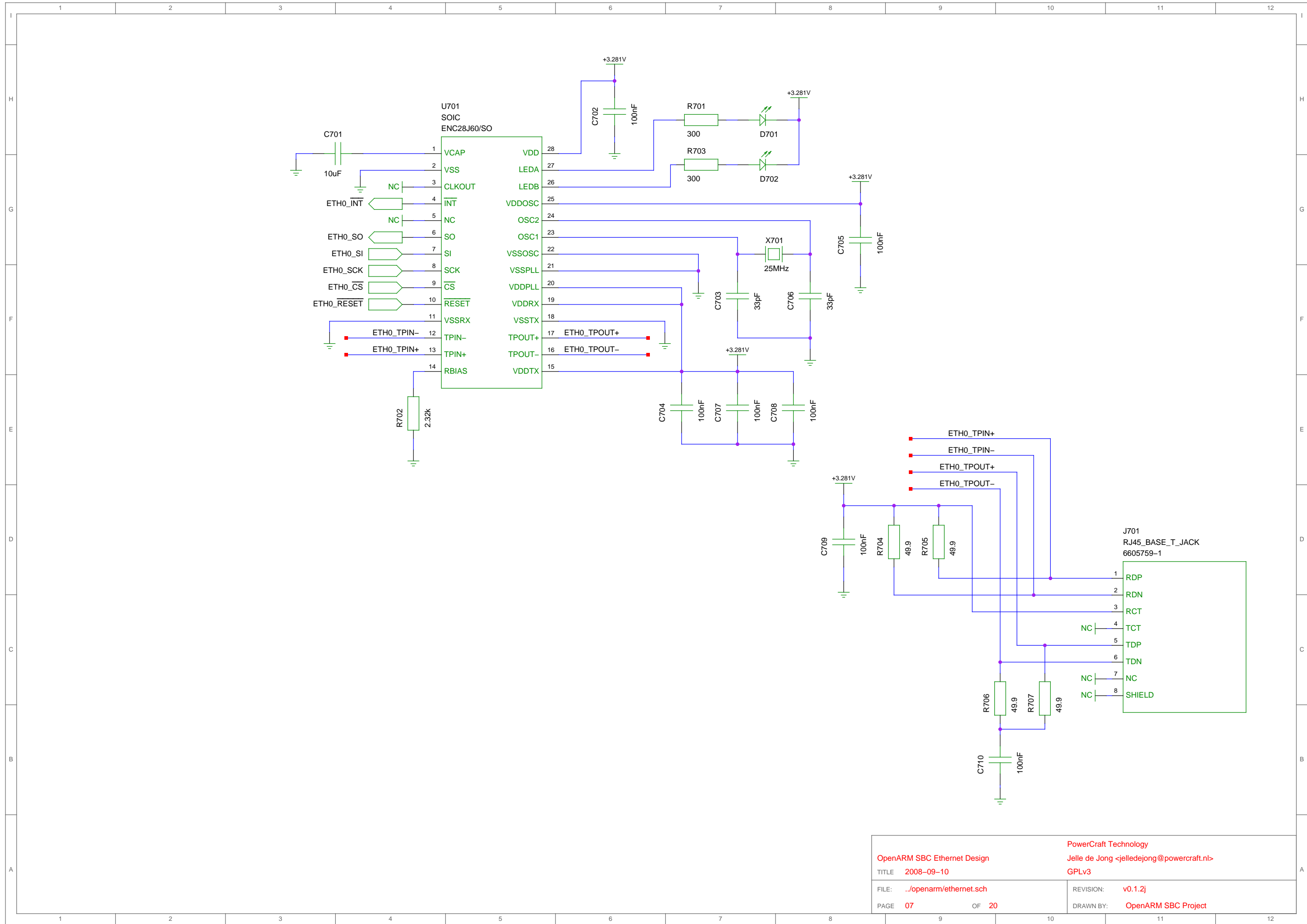
source=/home/jelle/openarm/doc/JTAG/information.txt

<b>OpenARM SBC JTAG Design</b> TITLE 2008-08-21		PowerCraft Technology Jelle de Jong <jelledejong@powercraft.nl> GPLv3	
FILE: ../openarm/jtag.sch		REVISION: v0.1.3j	
PAGE 03 OF 20		DRAWN BY: OpenARM SBC Project	

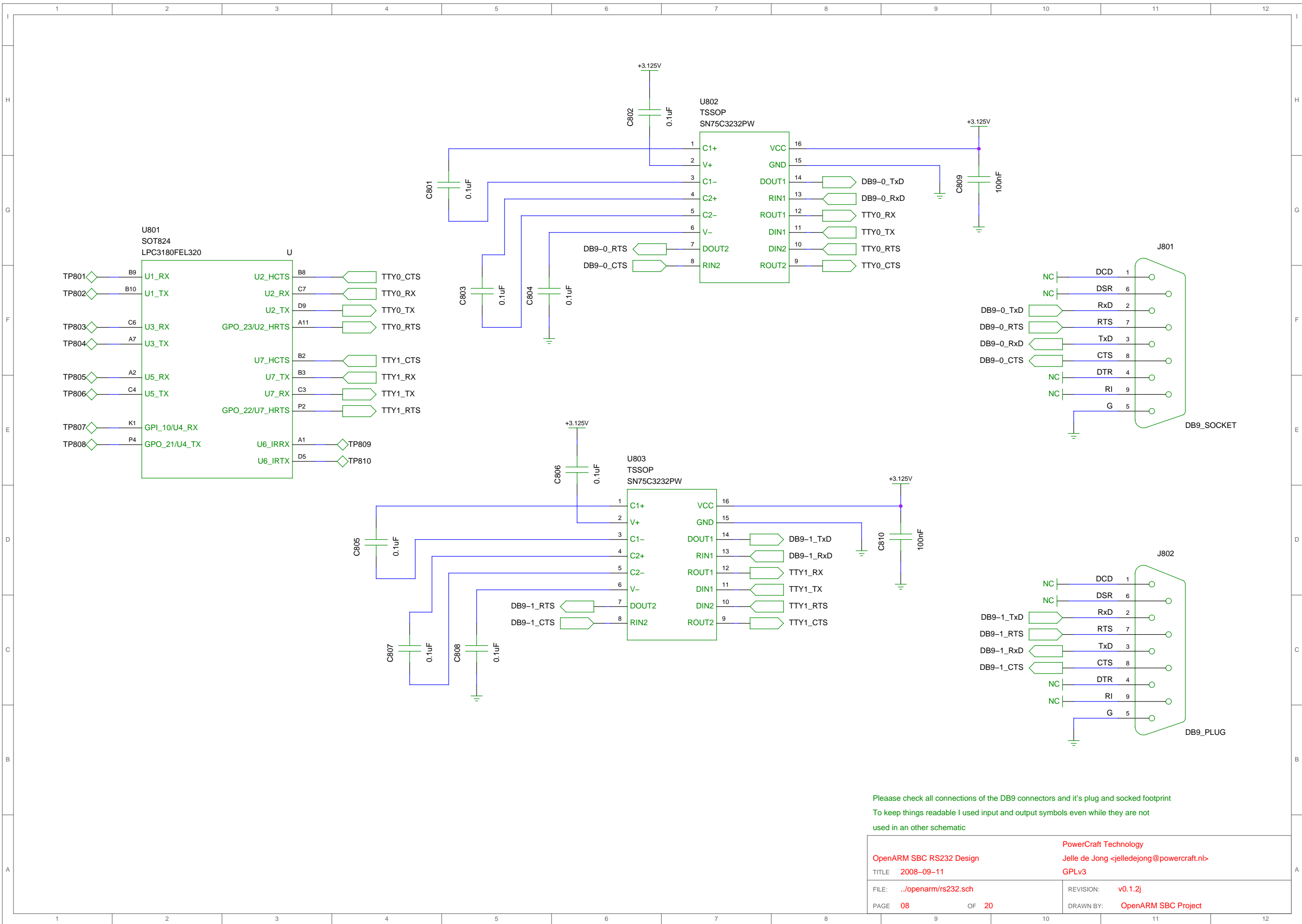








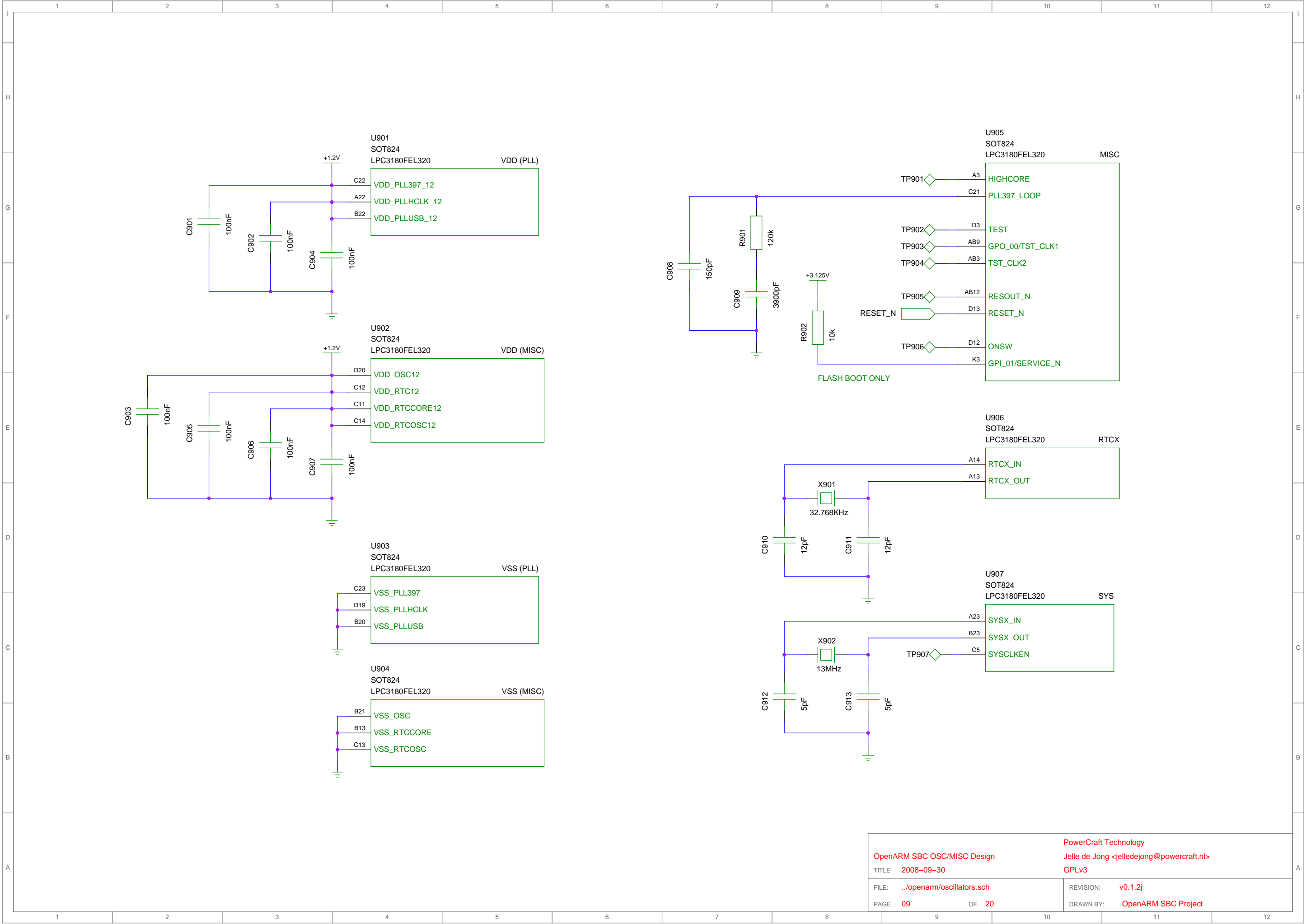
<b>OpenARM SBC Ethernet Design</b> TITLE 2008-09-10 FILE: ../openarm/ethernet.sch PAGE 07 OF 20		<b>PowerCraft Technology</b> Jelle de Jong <jelledejong@powercraft.nl> GPLv3 REVISION: v0.1.2j DRAWN BY: OpenARM SBC Project	
--	--	--	--

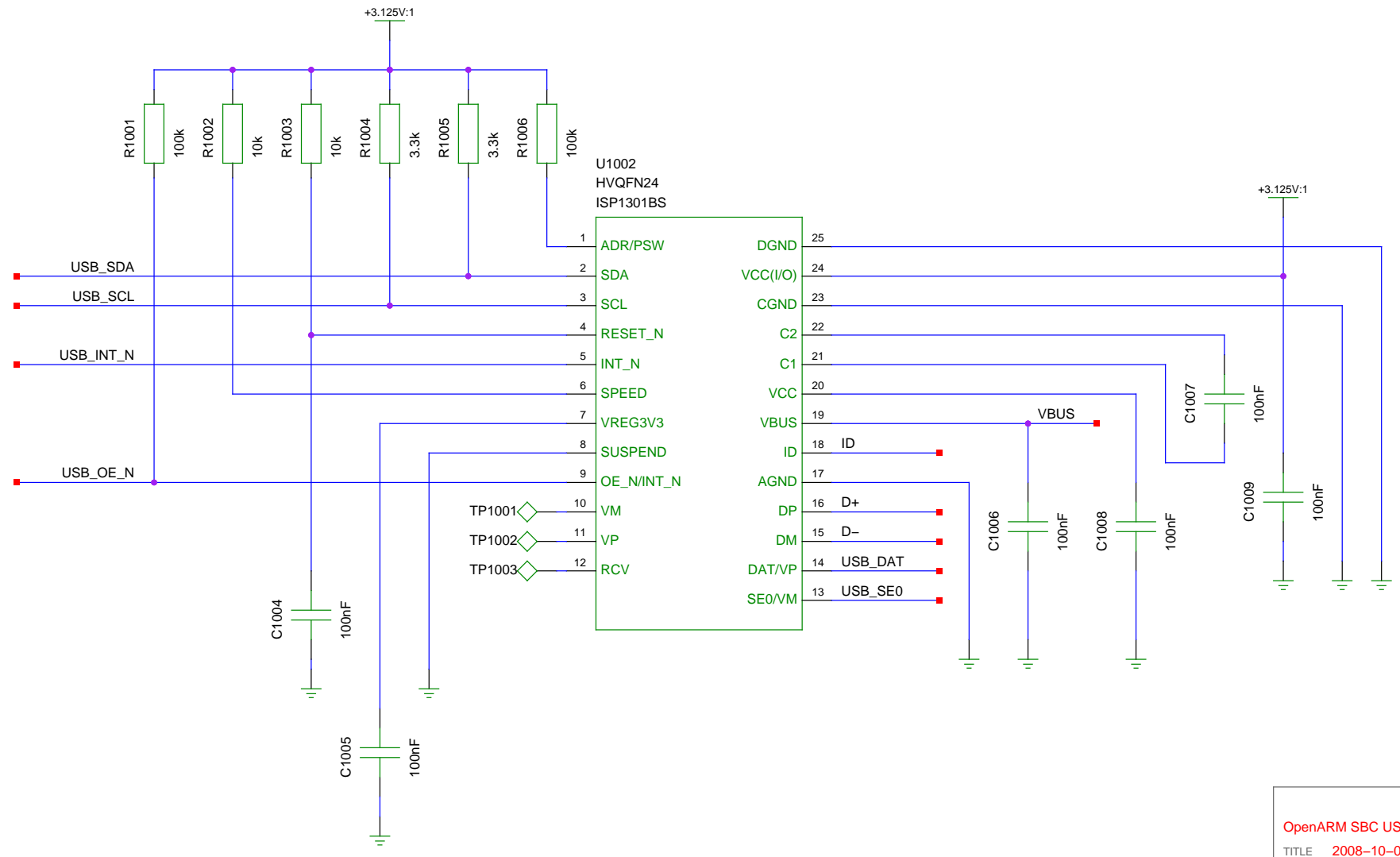
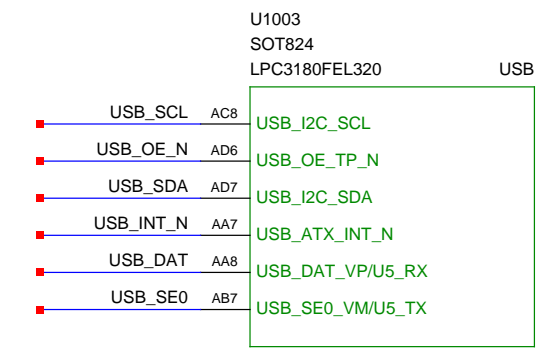
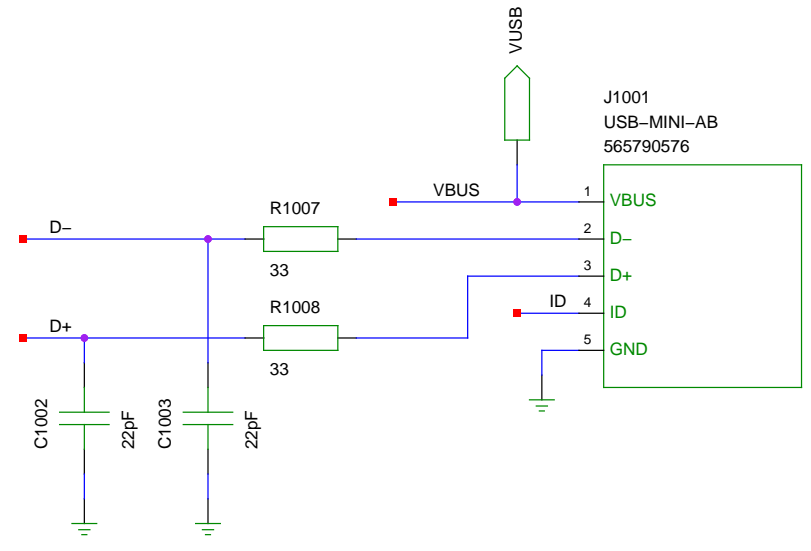
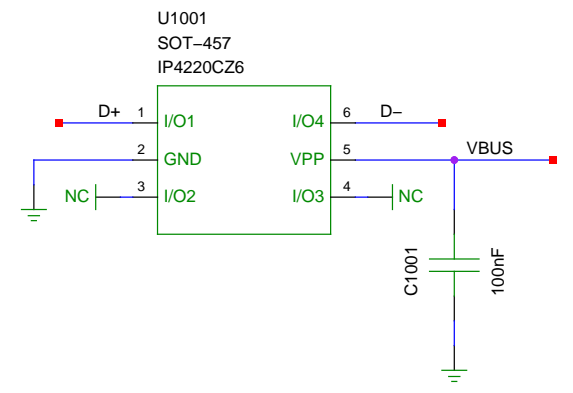


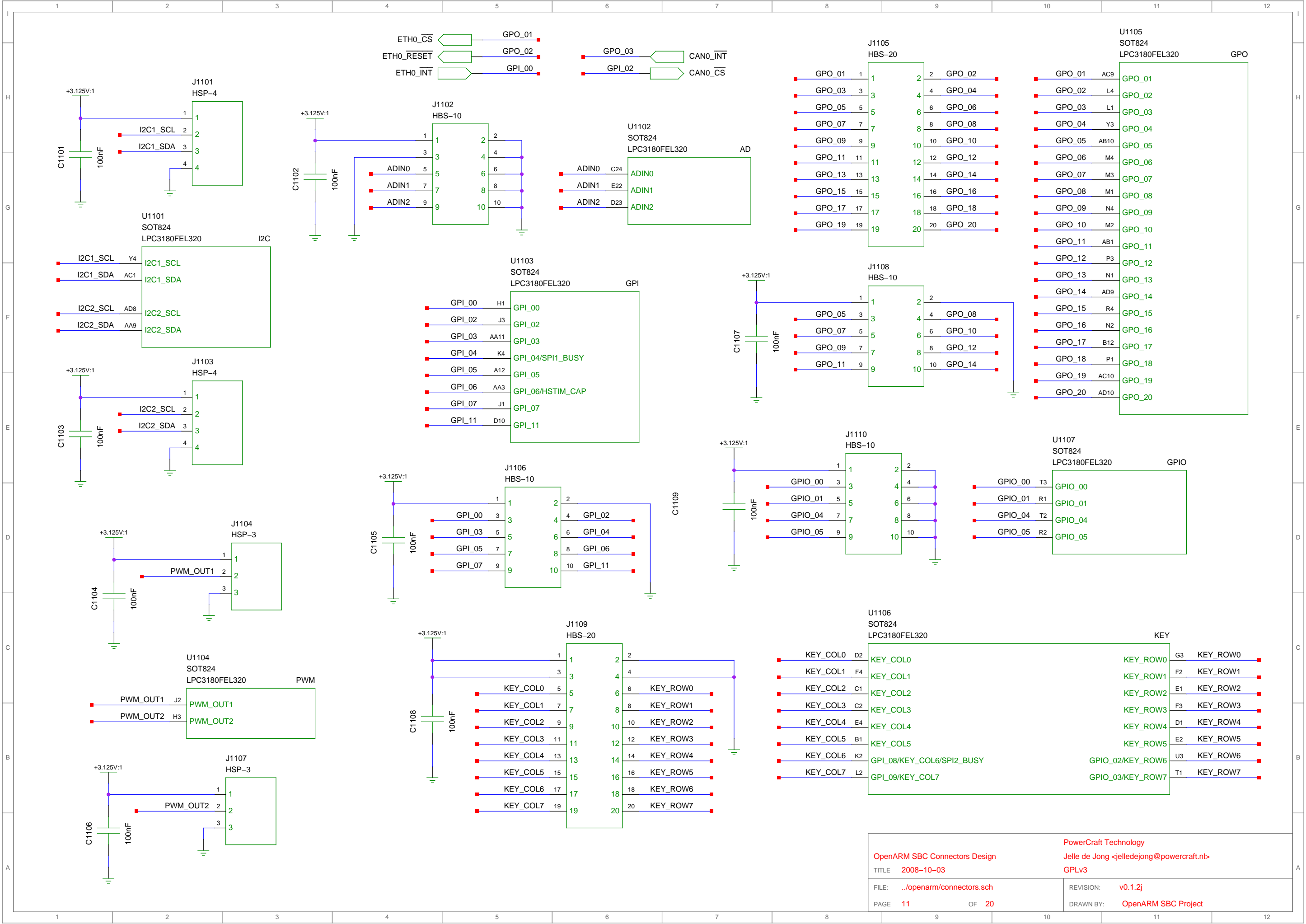
Please check all connections of the DB9 connectors and it's plug and socketed footprint  
 To keep things readable I used input and output symbols even while they are not  
 used in another schematic

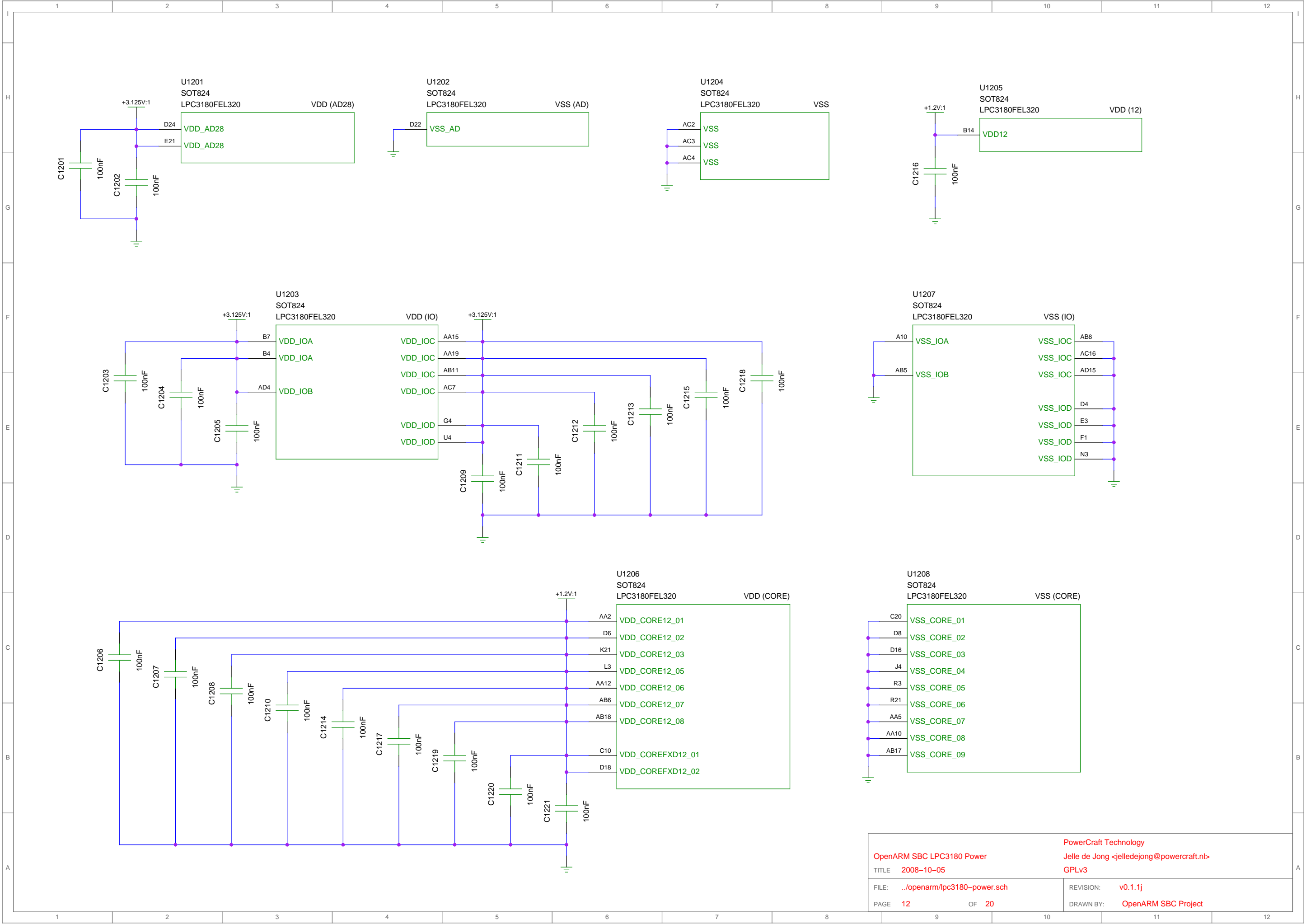
<b>OpenARM SBC RS232 Design</b> TITLE 2008-09-11		<b>PowerCraft Technology</b> Jelle de Jong <jelledejong@powercraft.nl> GPLv3	
FILE: ../openarm/rs232.sch	REVISION: v0.1.2j	DRAWN BY: OpenARM SBC Project	
PAGE 08 OF 20			

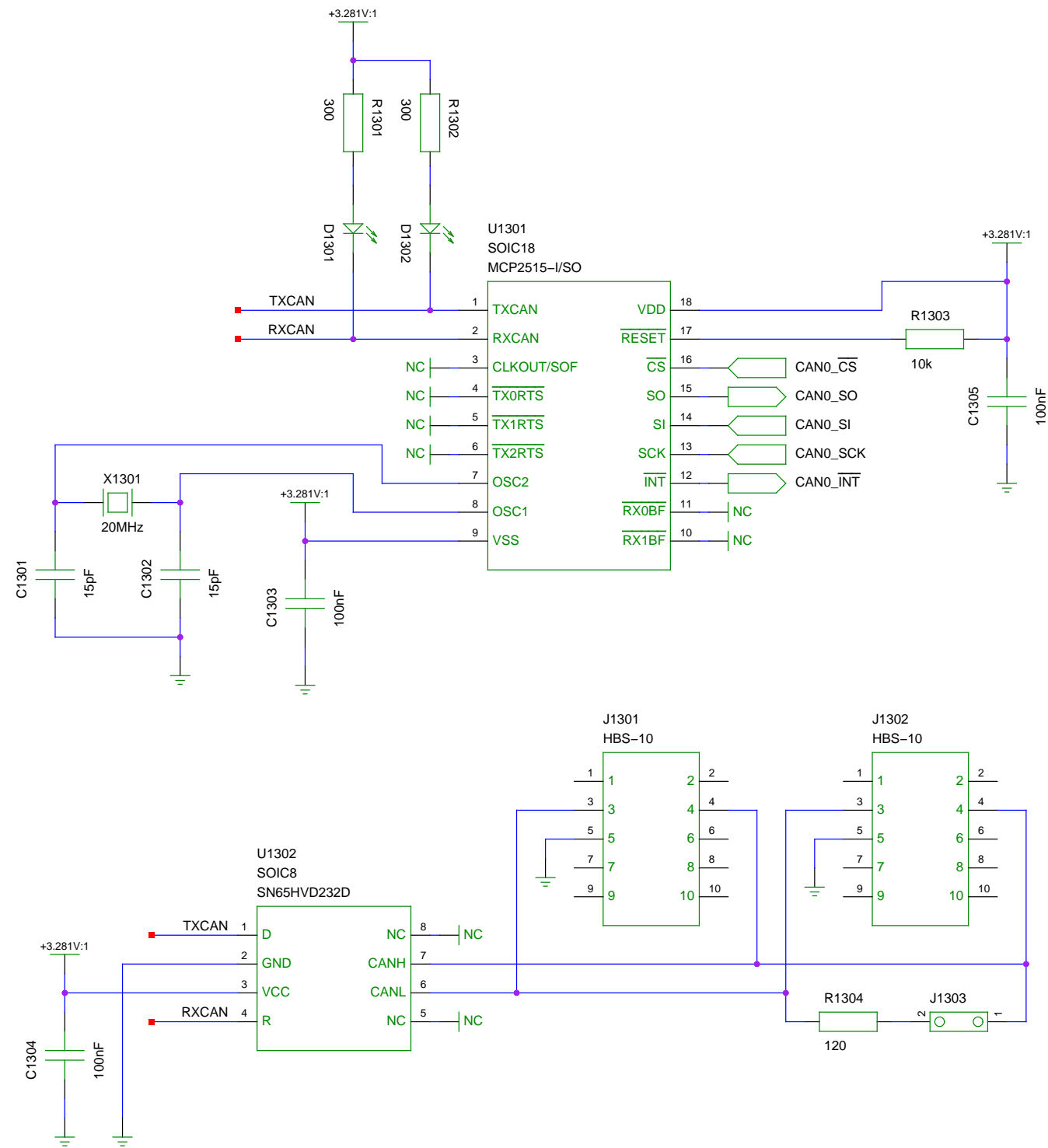












<b>OpenARM SBC CAN Design</b> TITLE 2008-10-09		PowerCraft Technology Jelle de Jong <jelledejong@powercraft.nl> GPLv3	
FILE: ../openarm/can.sch		REVISION: v0.1.1j	
PAGE 13 OF 20		DRAWN BY: OpenARM SBC Project	

