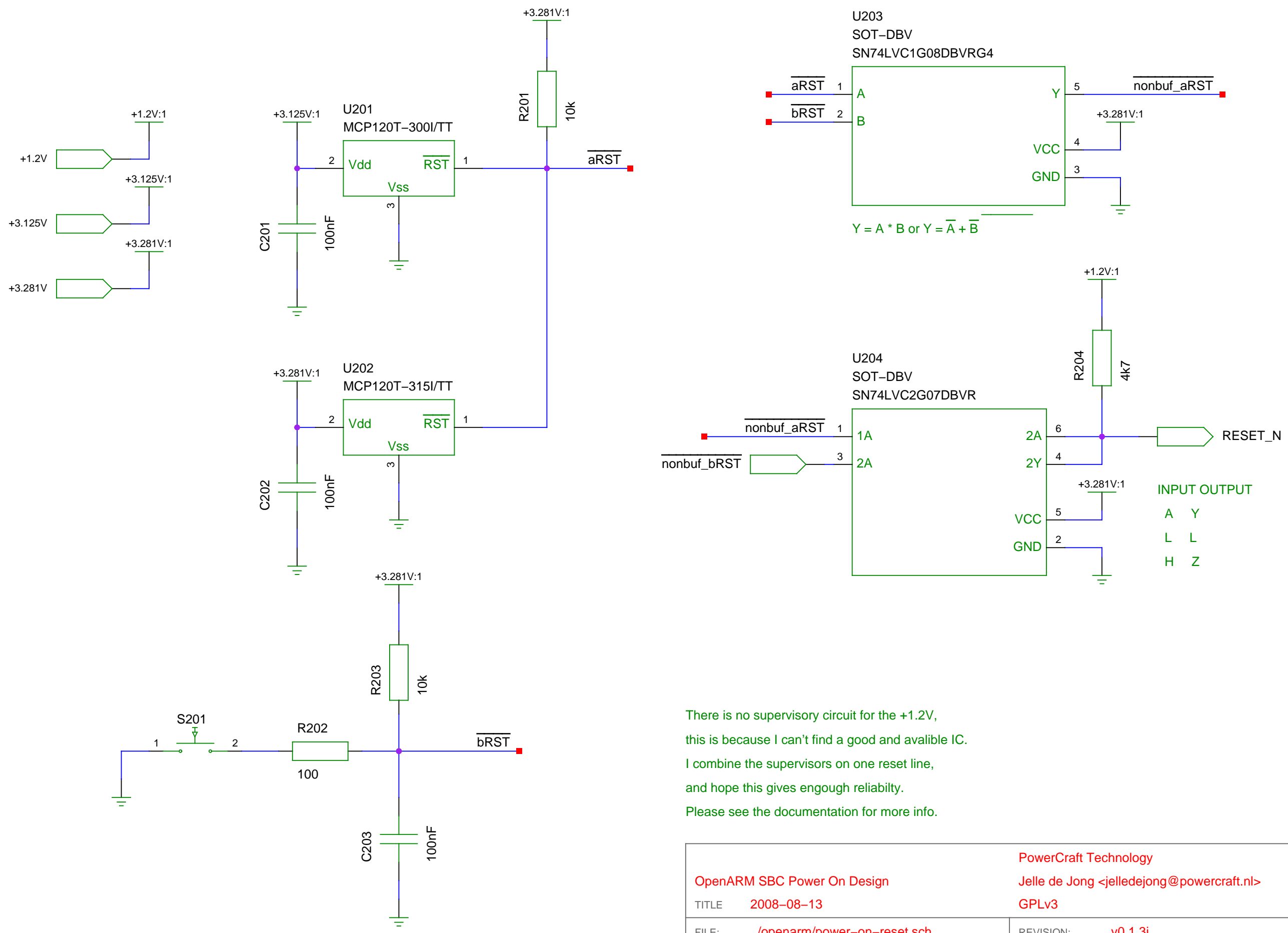
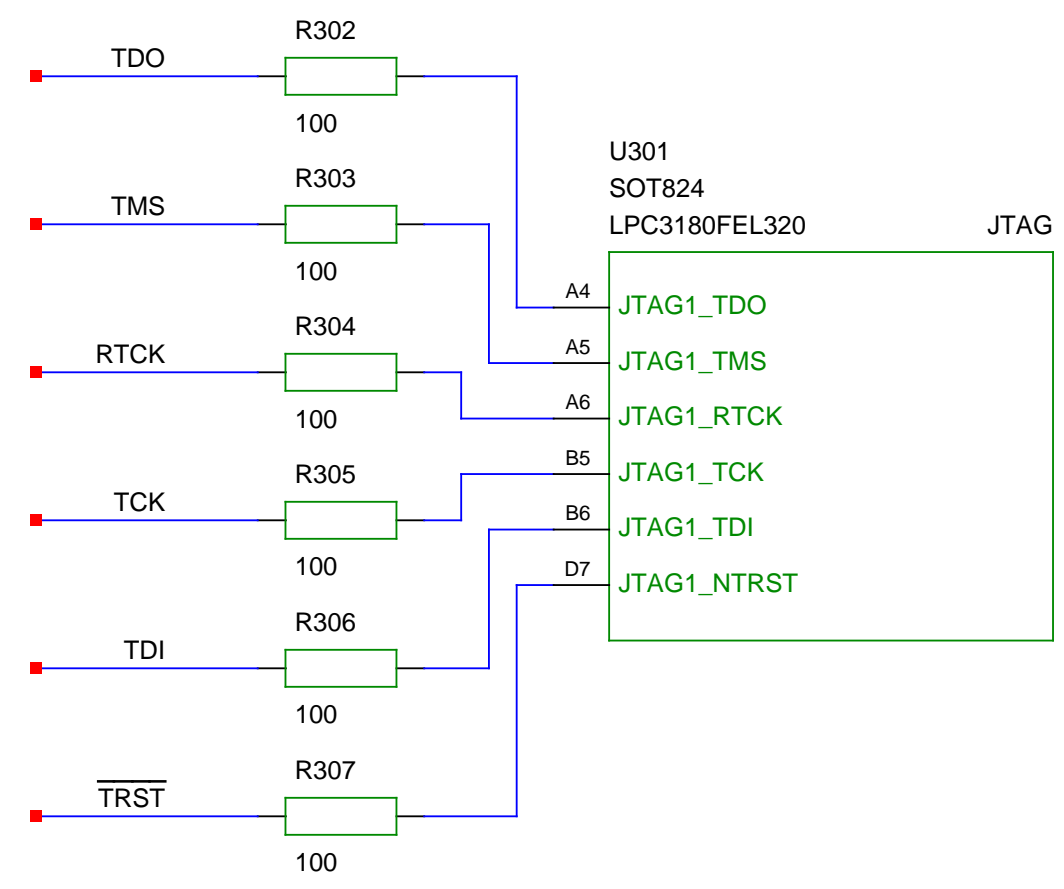
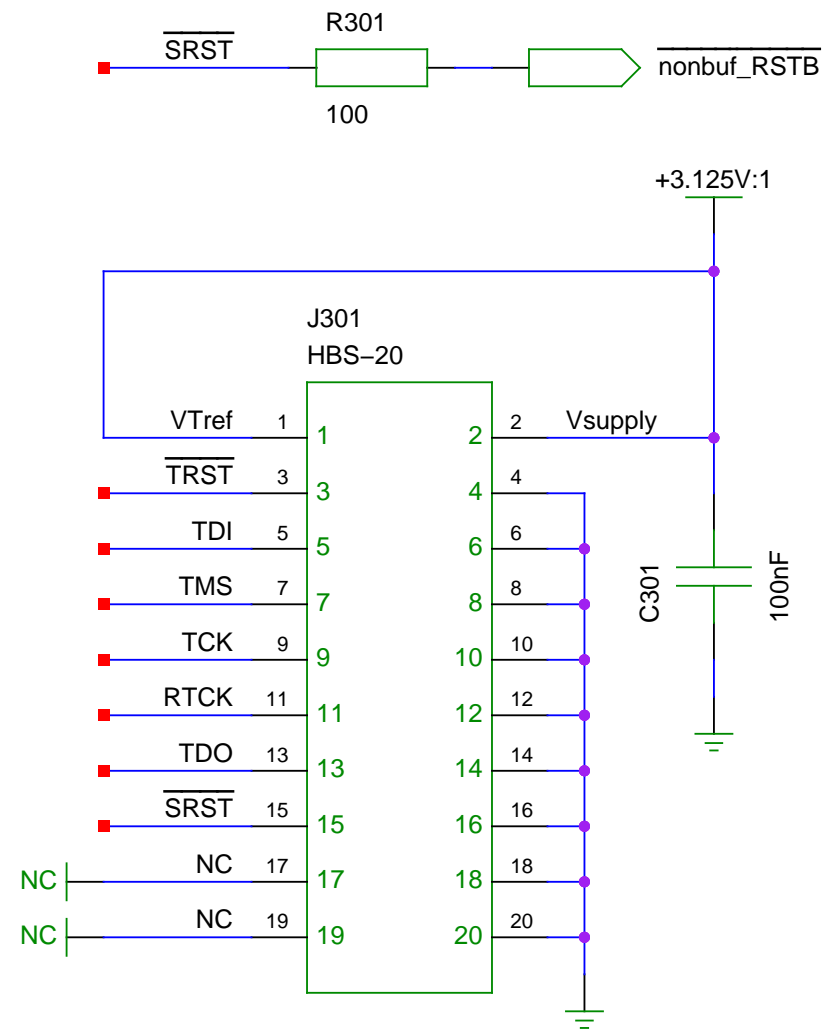


OpenARM SBC Power Supply Design TITLE 2008-08-12 FILE: ../openarm/power-supply.sch PAGE 01 OF 14		PowerCraft Technology Jelle de Jong <jelledejong@powercraft.nl> GPLv3 REVISION: v0.1.4j DRAWN BY: OpenARM SBC Project	
--	--	--	--



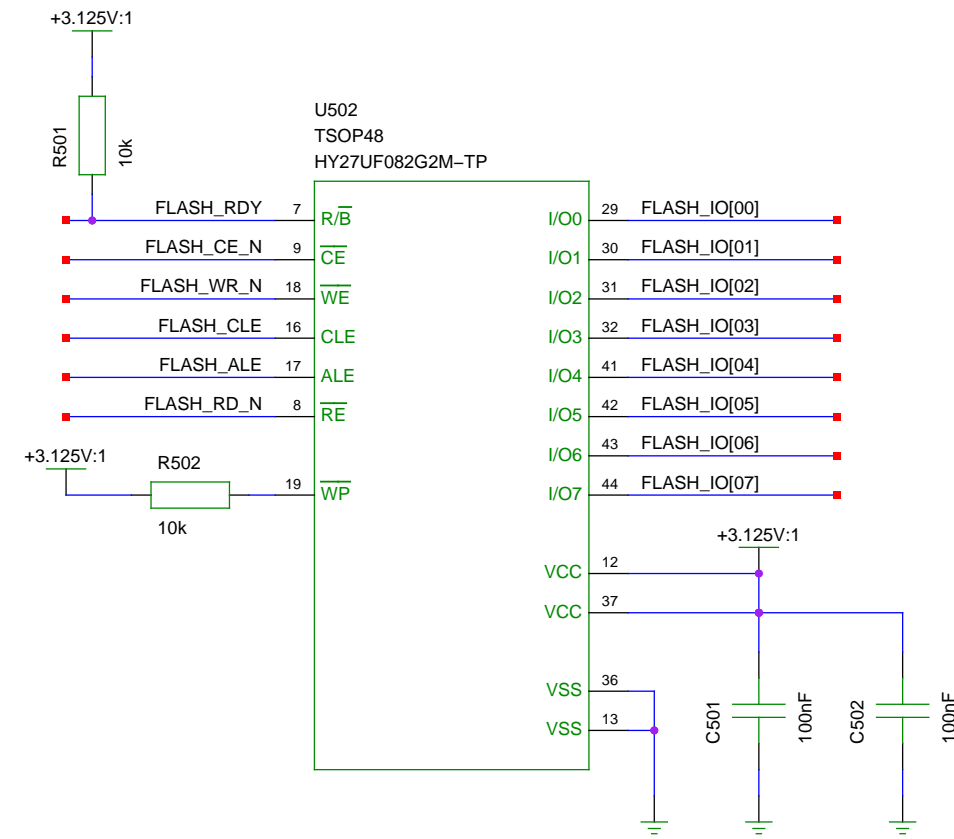
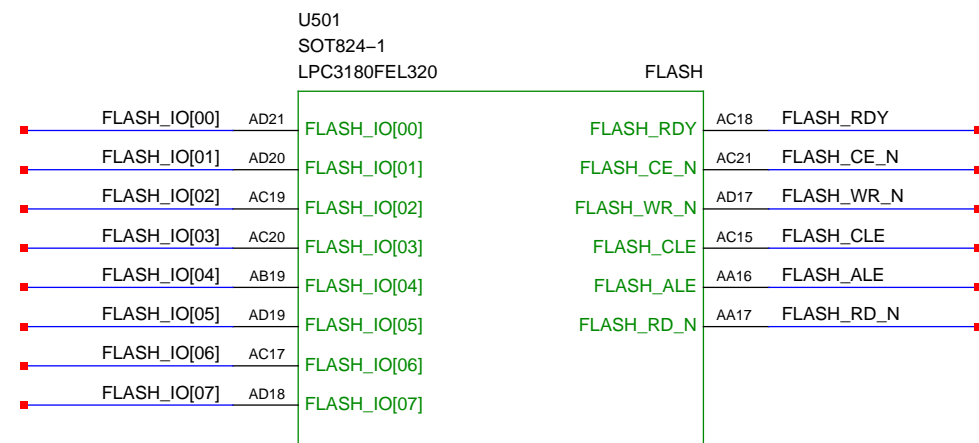
There is no supervisory circuit for the +1.2V, this is because I can't find a good and available IC. I combine the supervisors on one reset line, and hope this gives enough reliability. Please see the documentation for more info.

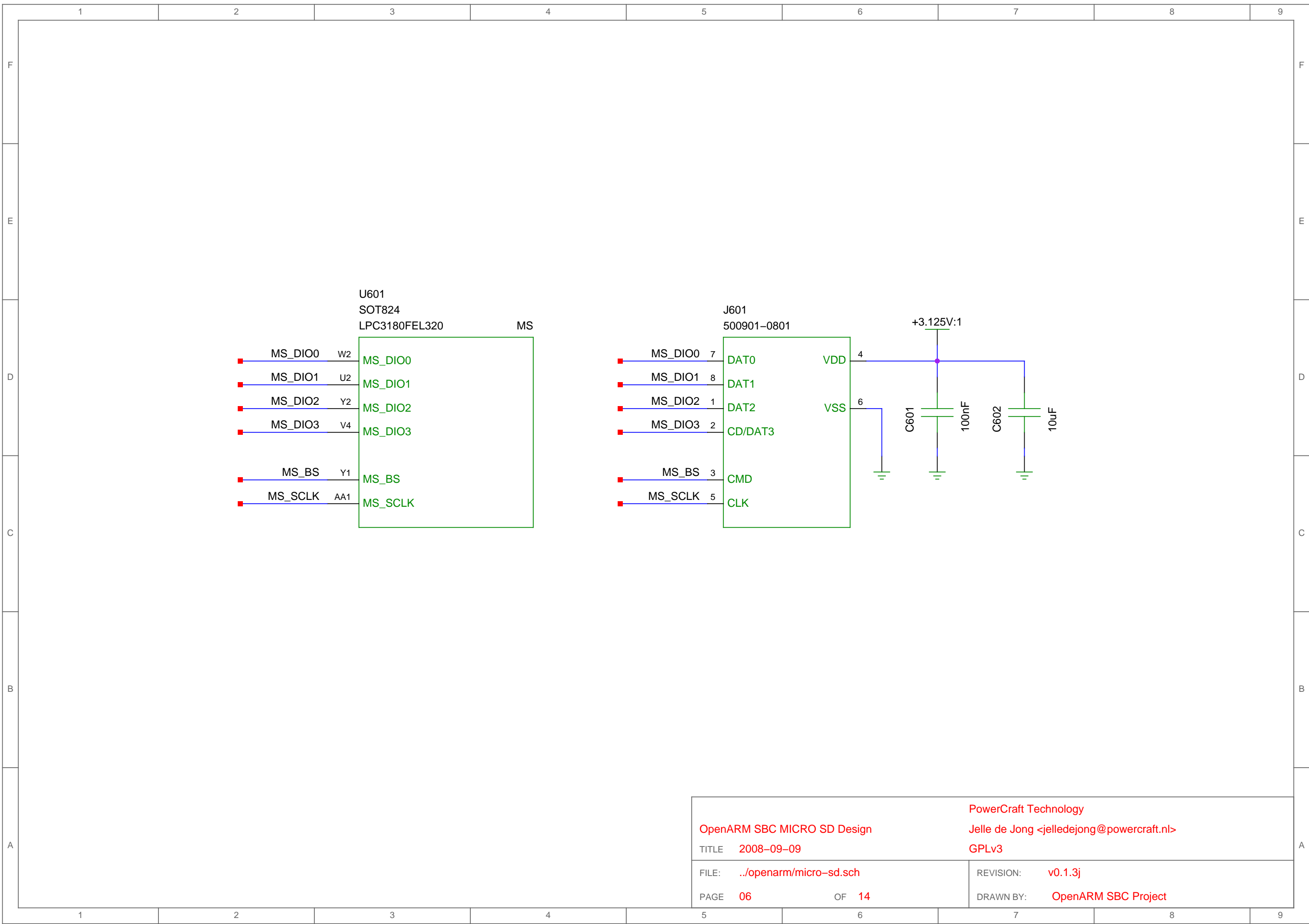
OpenARM SBC Power On Design TITLE 2008-08-13		PowerCraft Technology Jelle de Jong <jelledejong@powercraft.nl> GPLv3	
FILE:/openarm/power-on-reset.sch	REVISION: v0.1.3j	DRAWN BY: OpenARM SBC Project	
PAGE 02	OF 14		

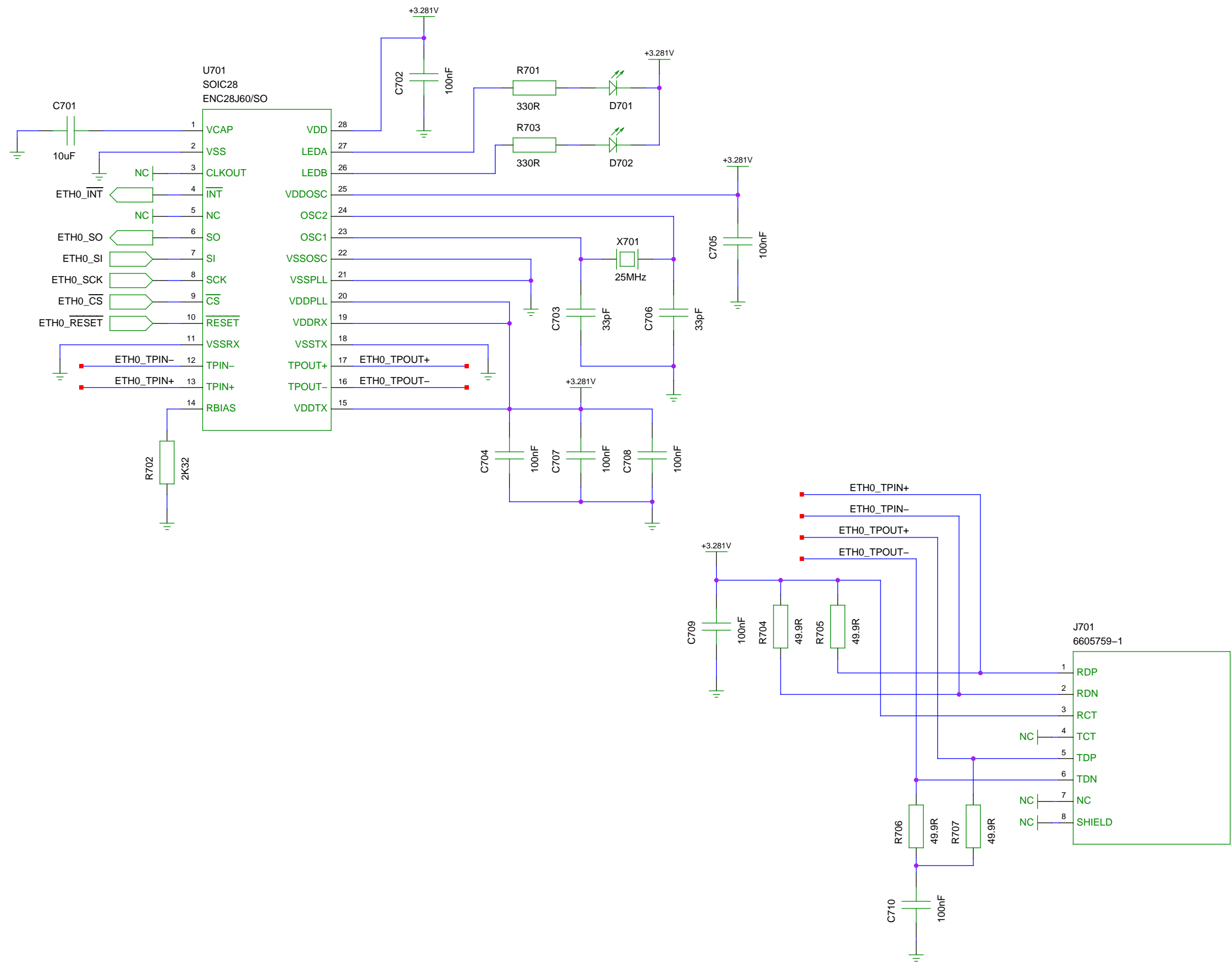


source=/home/jelle/openarm/doc/JTAG/information.txt

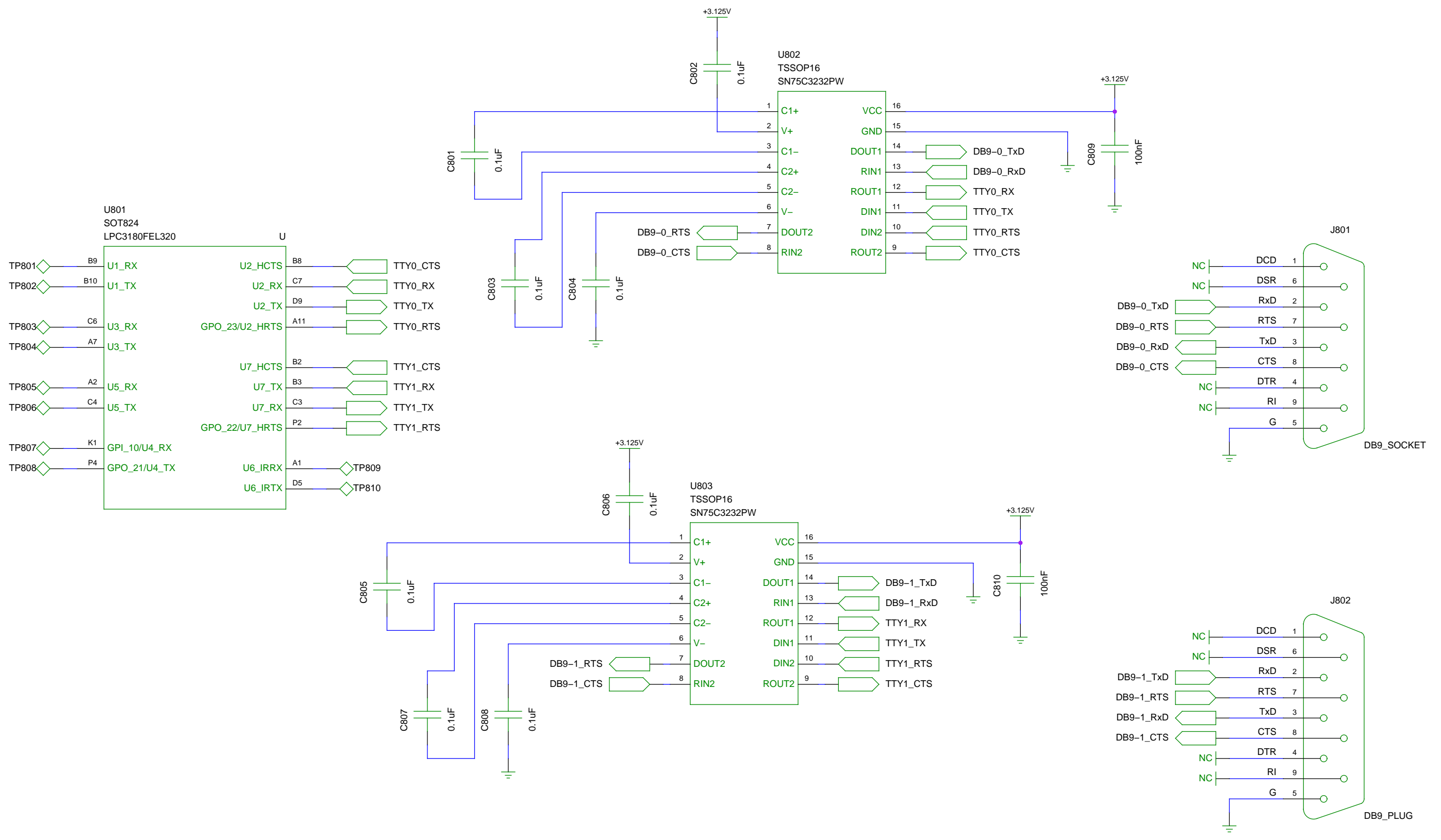
OpenARM SBC JTAG Design TITLE 2008-08-21		PowerCraft Technology Jelle de Jong <jelledejong@powercraft.nl> GPLv3	
FILE:/openarm/jtag.sch		REVISION: v0.1.4j	
PAGE 03	OF 14	DRAWN BY: OpenARM SBC Project	





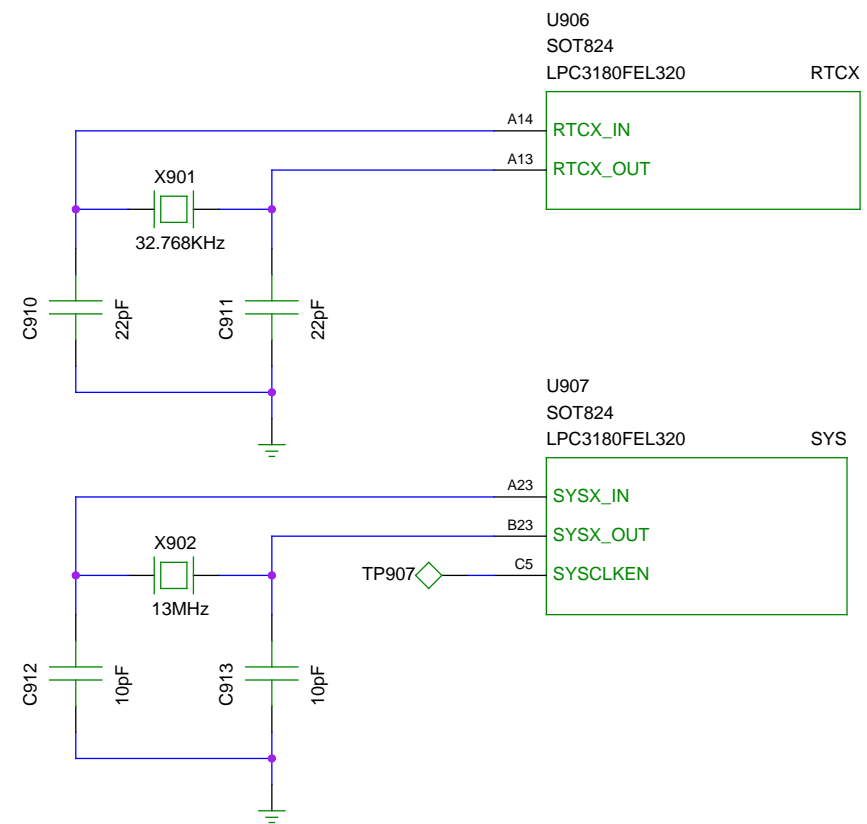
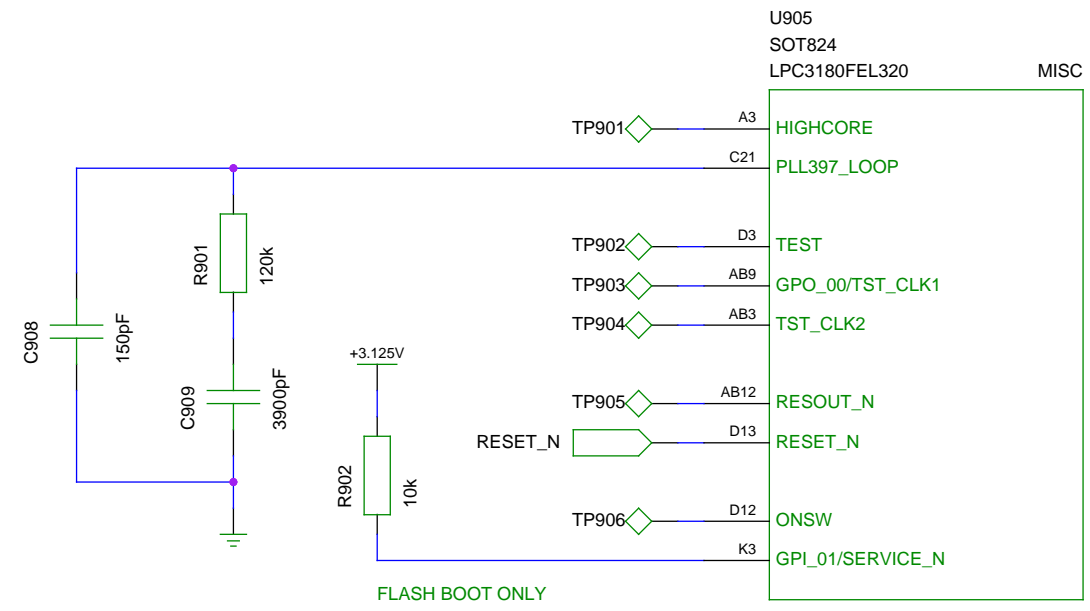
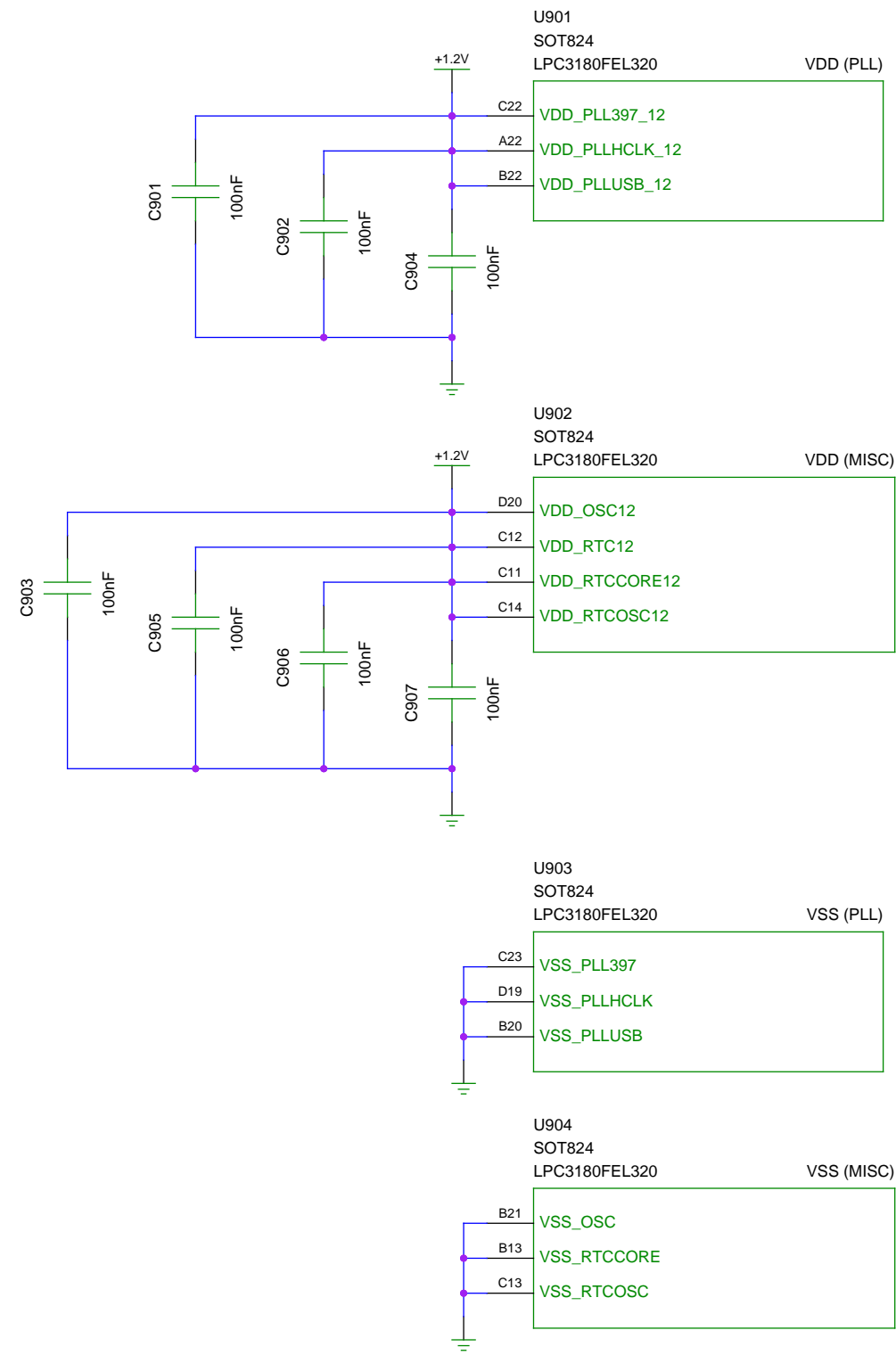


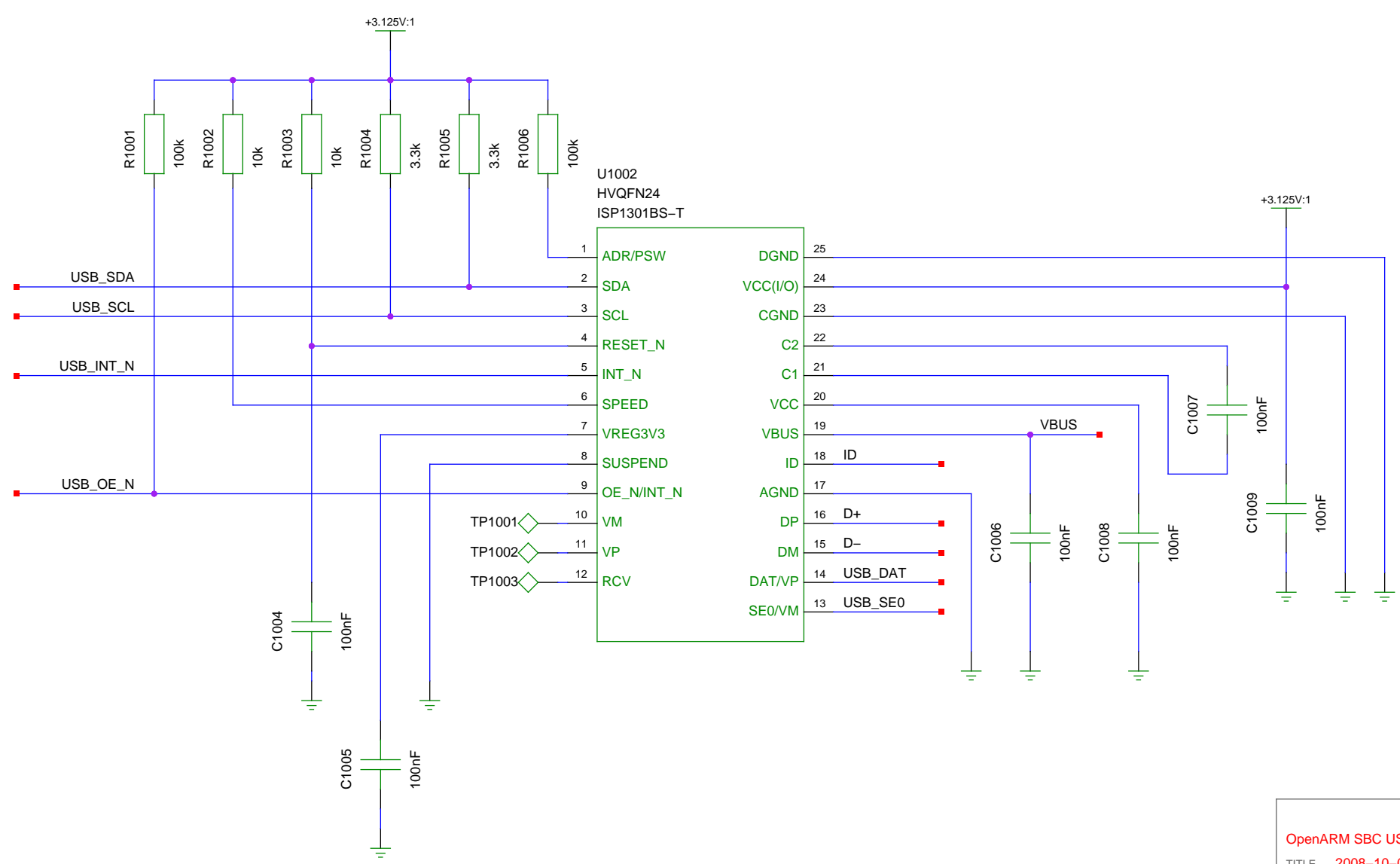
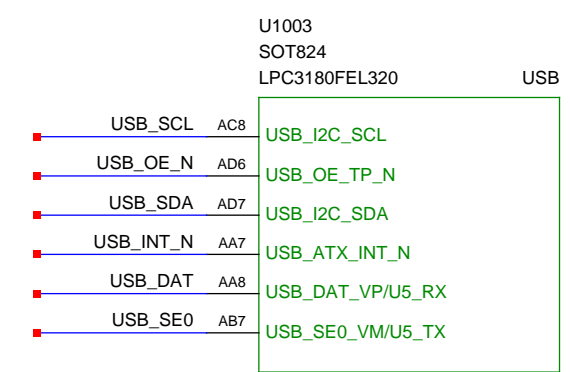
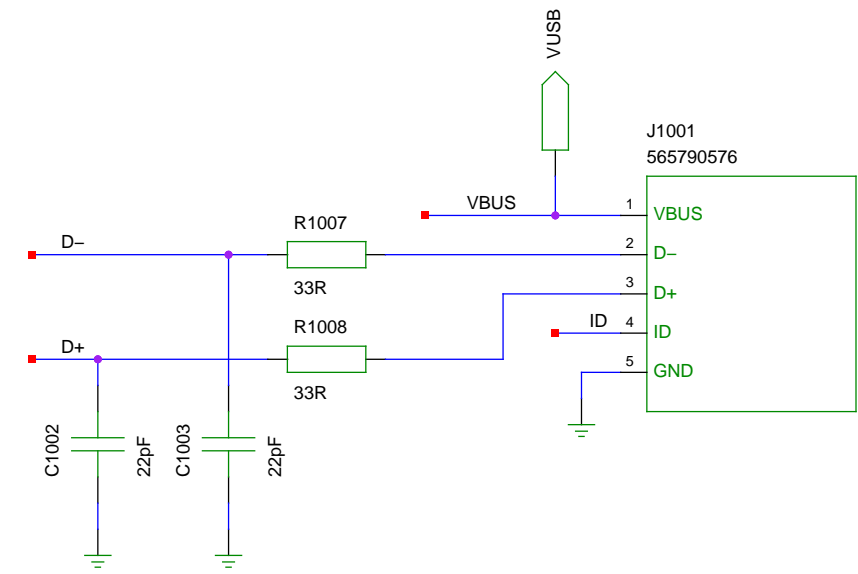
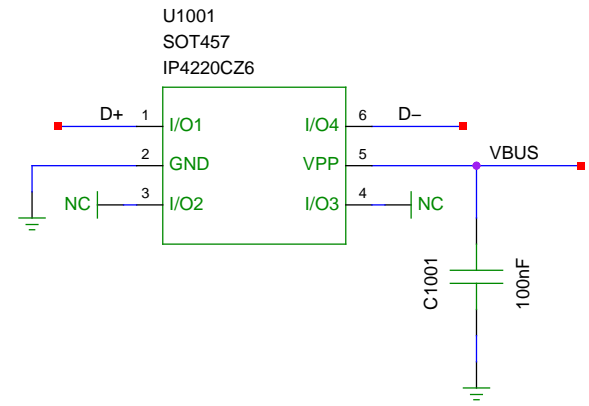
OpenARM SBC Ethernet Design		PowerCraft Technology	
TITLE 2008-09-10		Jelle de Jong <jelledejong@powercraft.nl>	
FILE: ../openarm/ethernet.sch		REVISION: v0.1.3j	
PAGE 07	OF 14	DRAWN BY: OpenARM SBC Project	

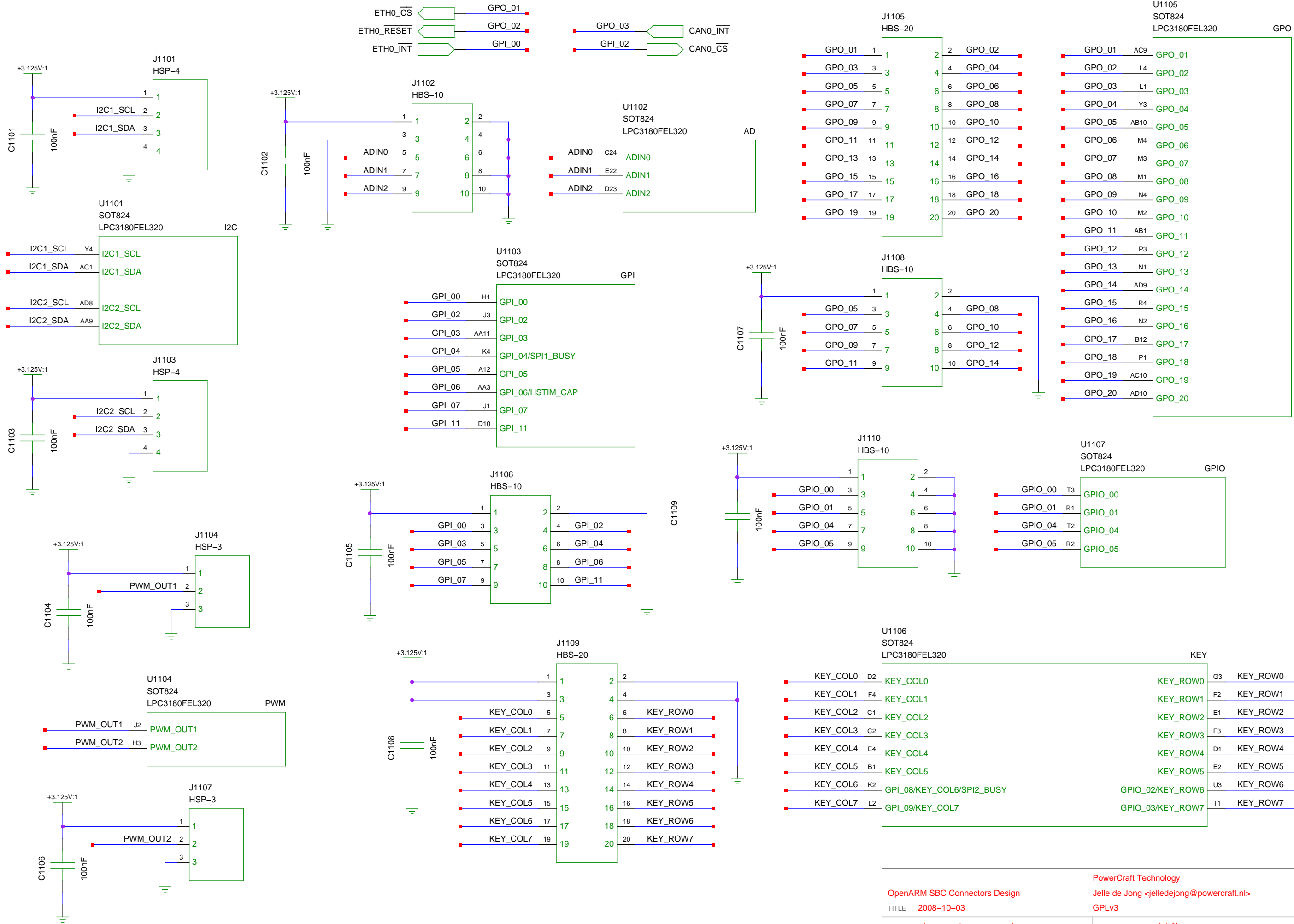


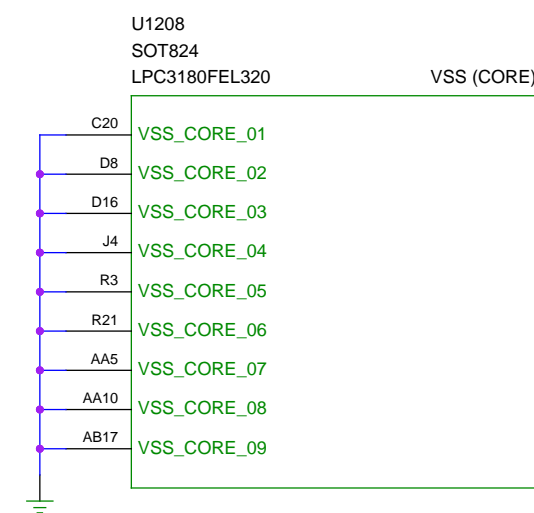
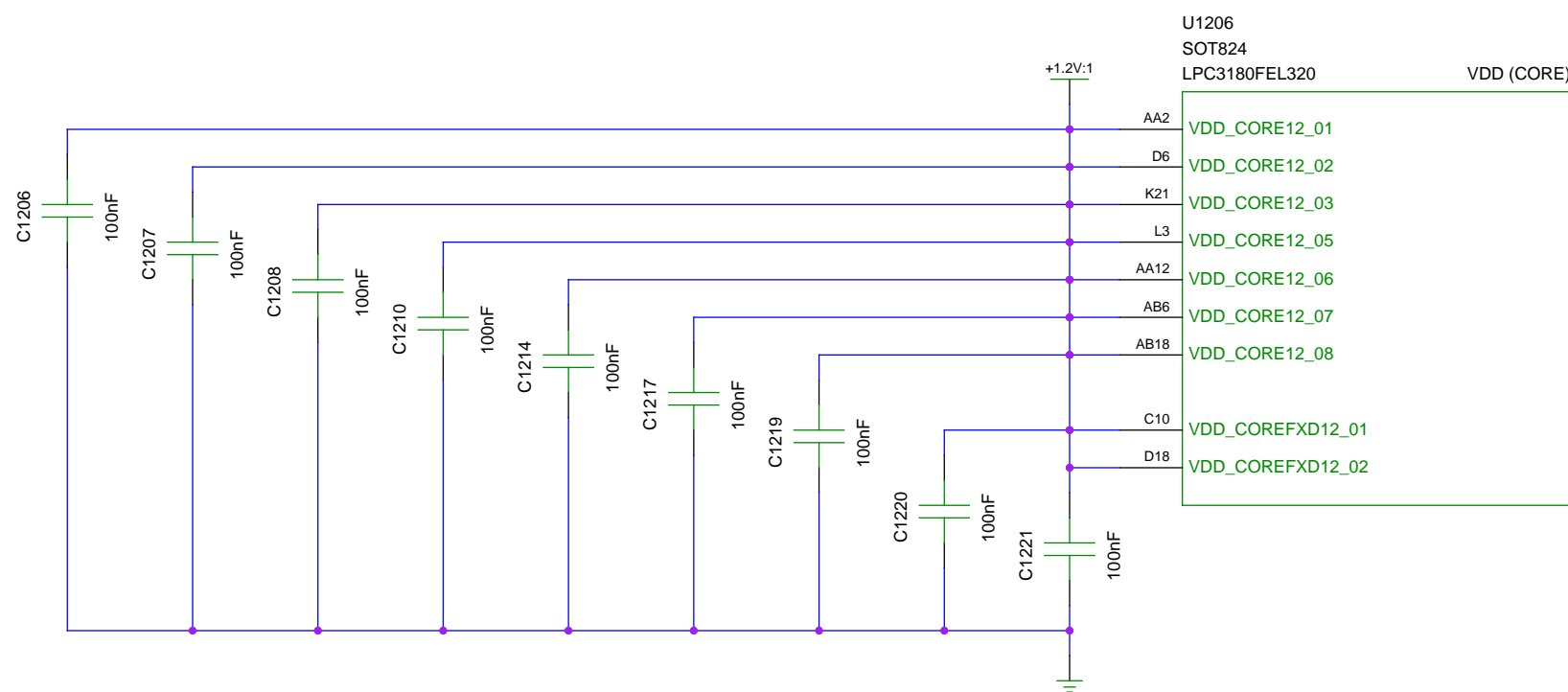
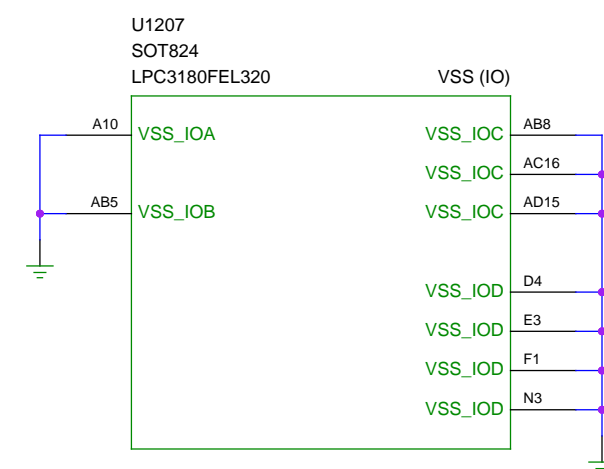
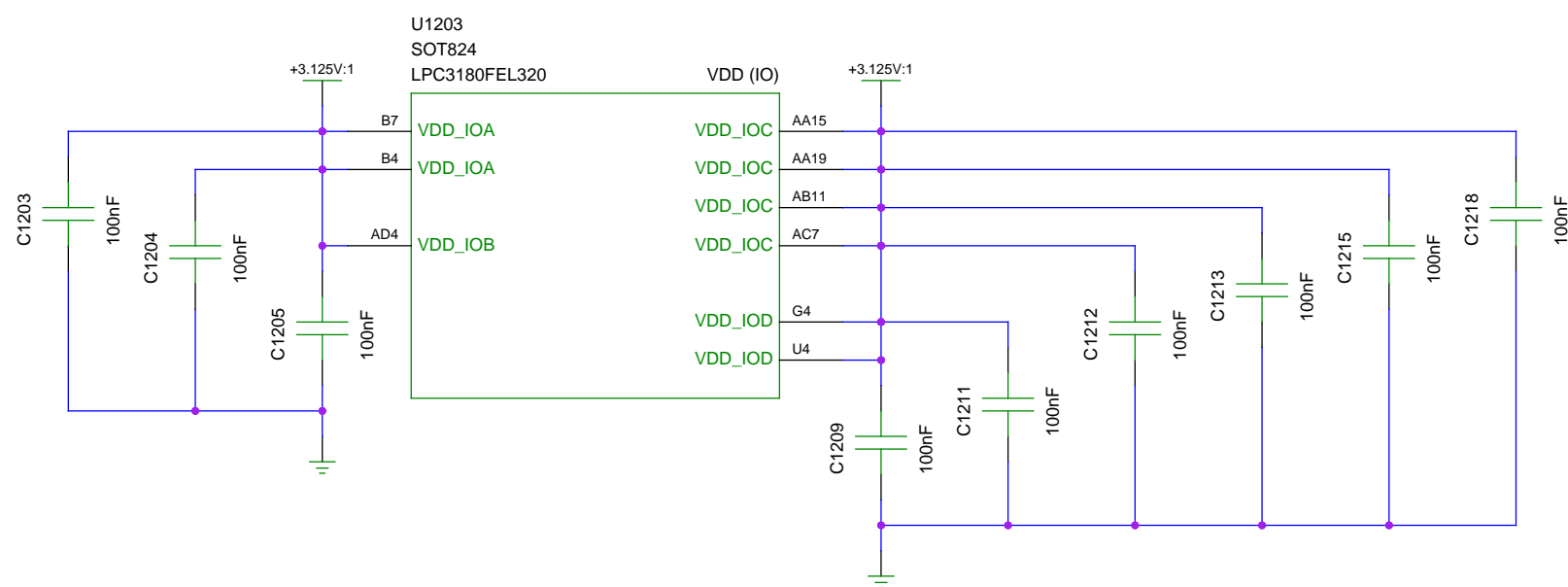
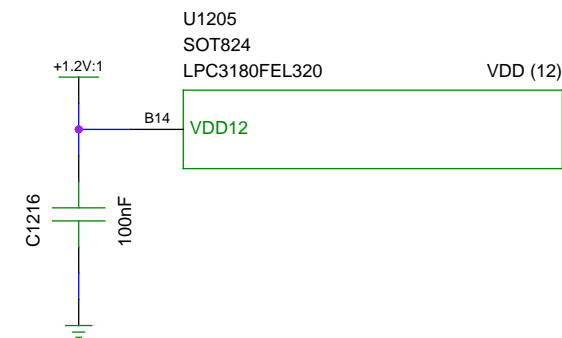
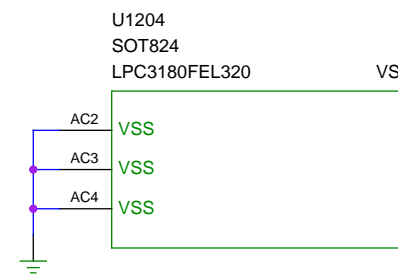
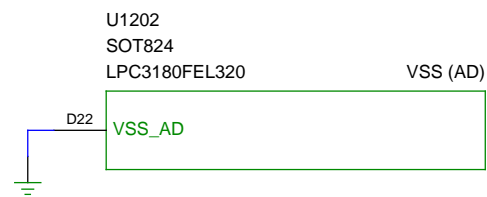
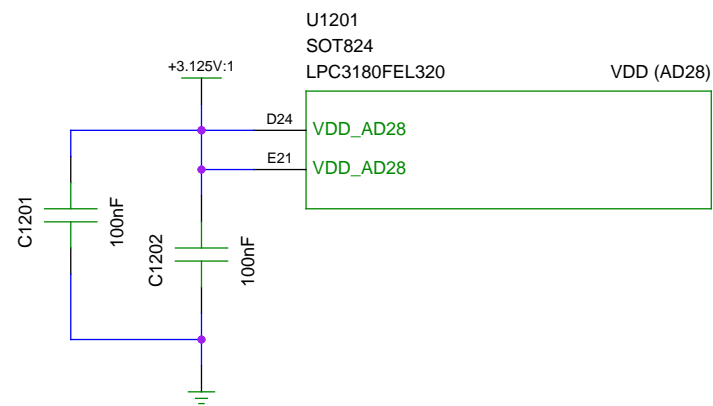
Please check all connections of the DB9 connectors and it's plug and socket footprint
 To keep things readable I used input and output symbols even while they are not
 used in an other schematic

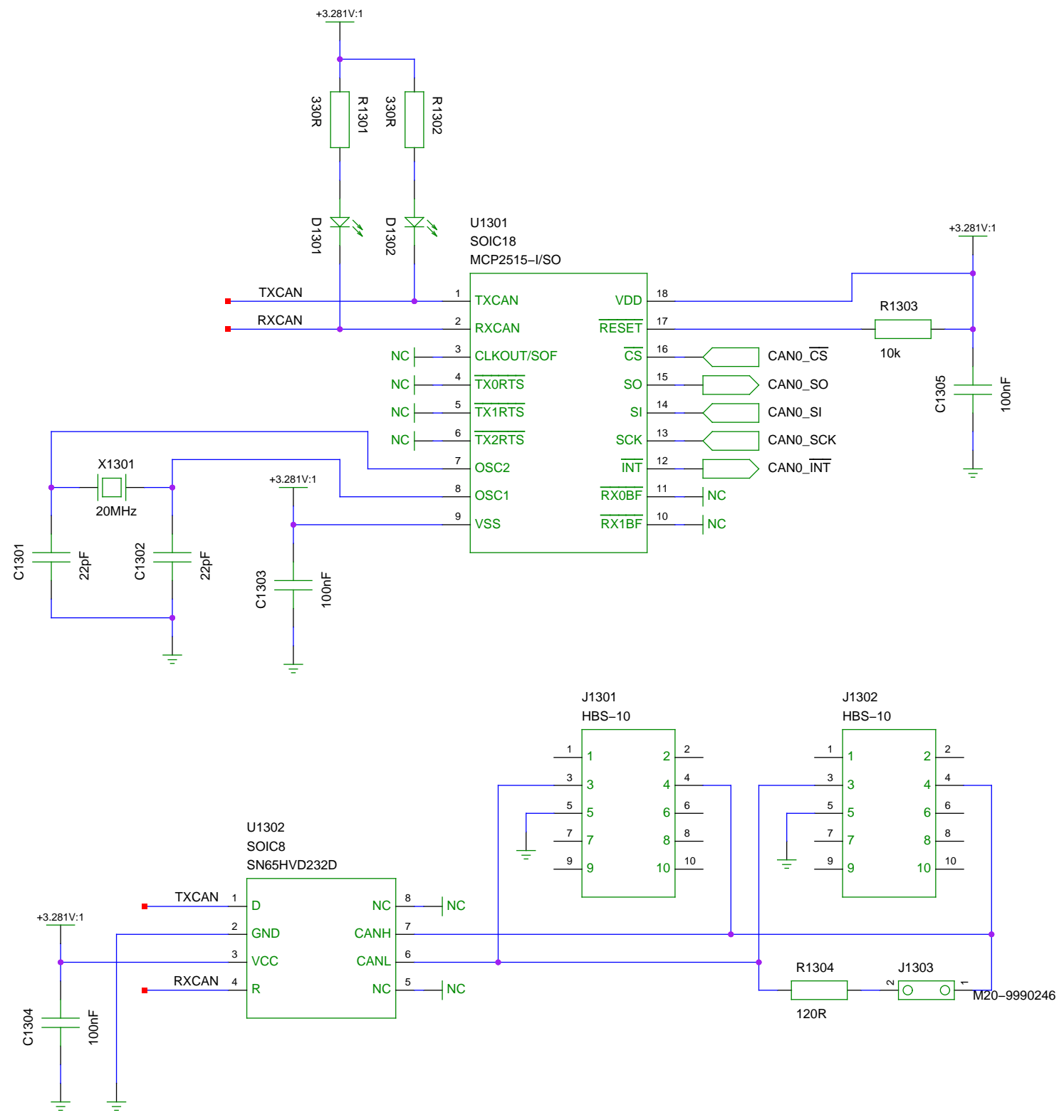
OpenARM SBC RS232 Design TITLE 2008-09-11		PowerCraft Technology Jelle de Jong <jelledejong@powercraft.nl> GPLv3	
FILE: ../openarm/rs232.sch	REVISION: v0.1.3j	DRAWN BY: OpenARM SBC Project	
PAGE 08 OF 14			











OpenARM SBC CAN Design		PowerCraft Technology	
TITLE 2008-10-09		Jelle de Jong <jelledejong@powercraft.nl>	
FILE: ../openarm/can.sch		REVISION: v0.1.2j	
PAGE 13	OF 14	DRAWN BY: OpenARM SBC Project	

