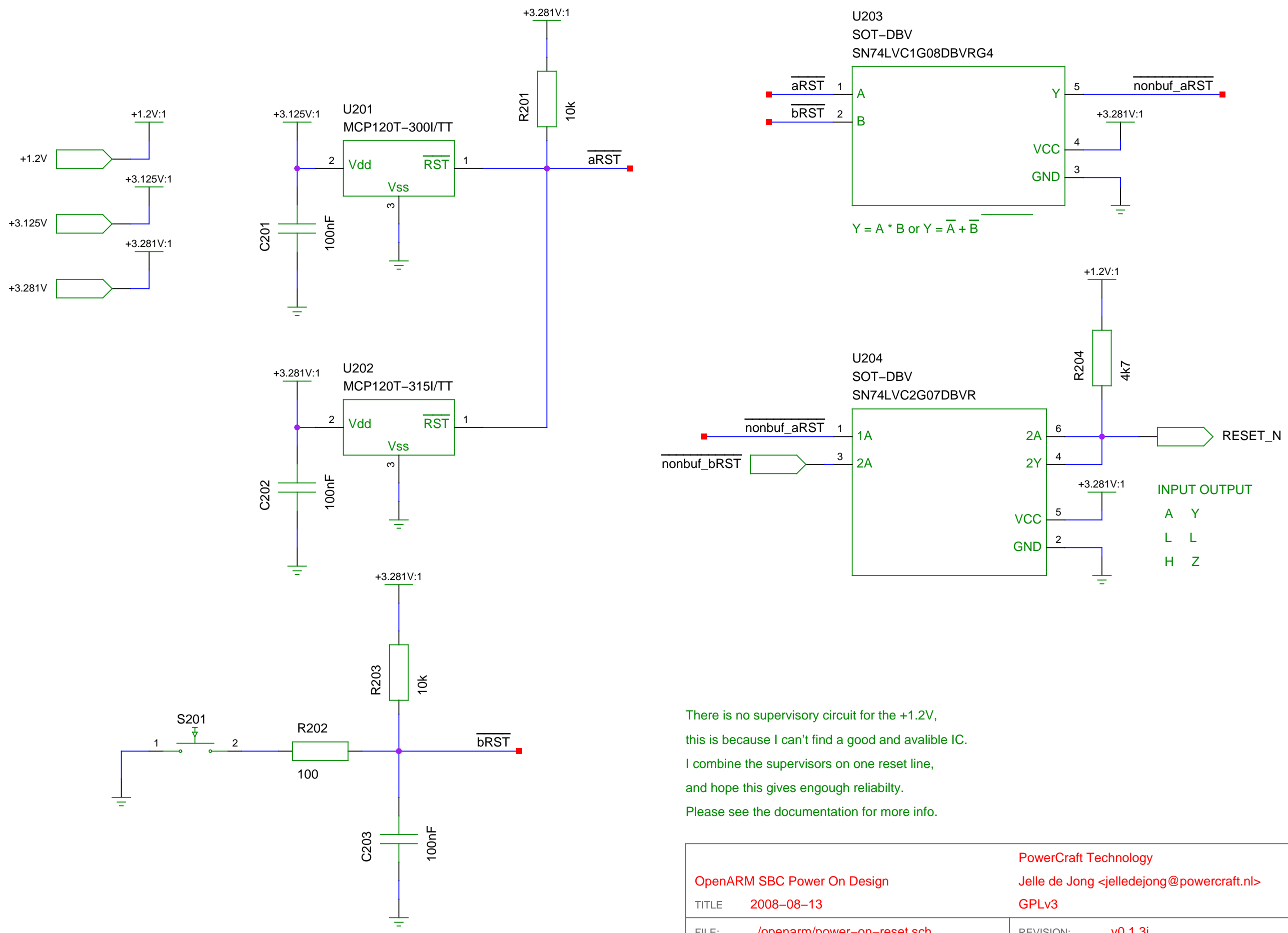
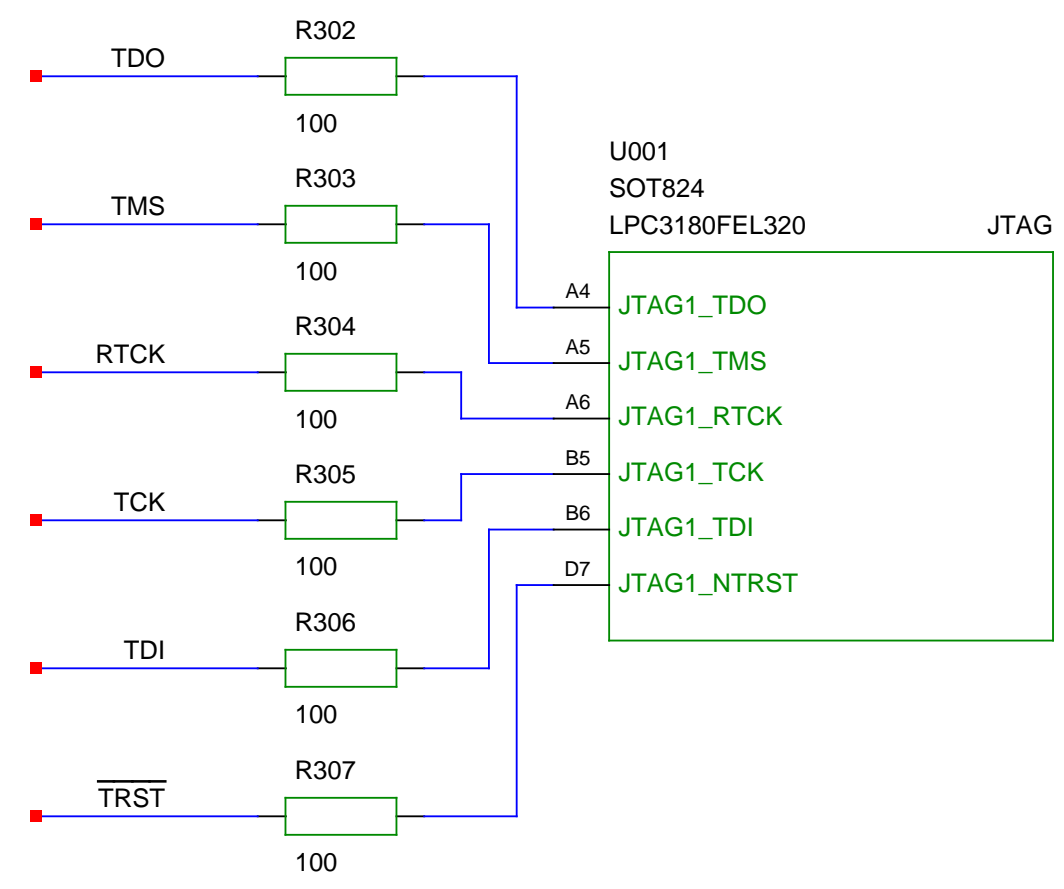
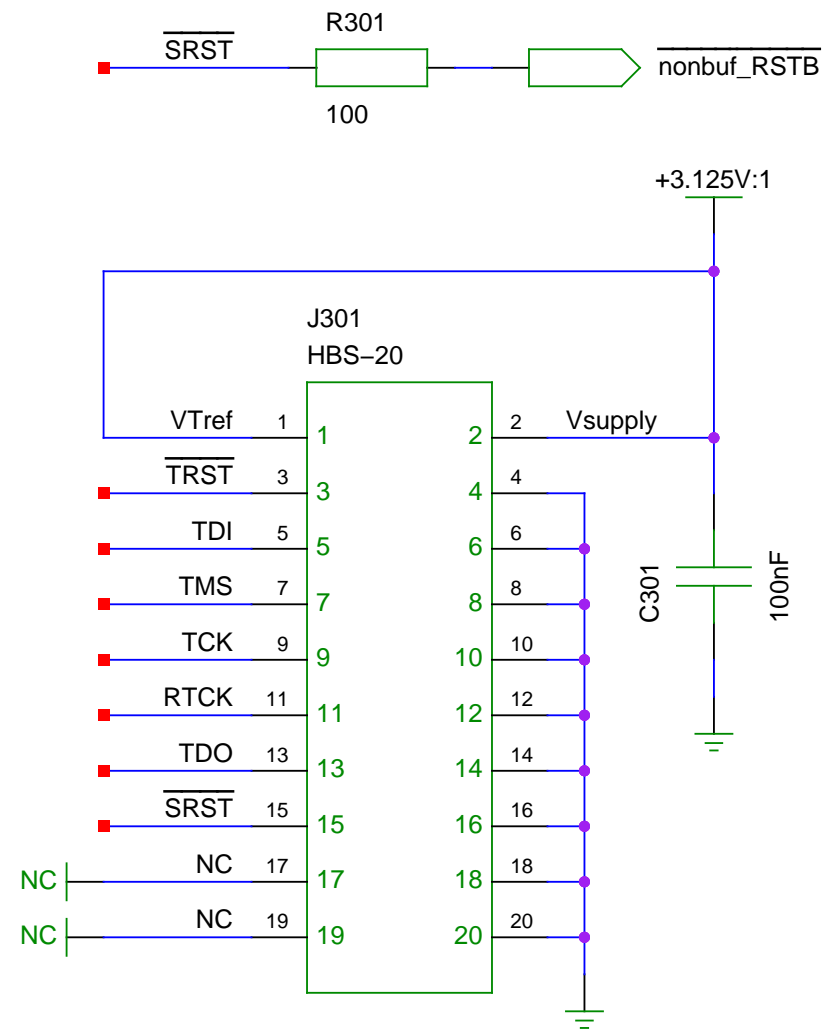


|  |  |  |  |
|--|--|--|--|
| <b>OpenARM SBC Power Supply Design</b><br>TITLE 2008-08-12<br>FILE: ../openarm/power-supply.sch<br>PAGE 01 OF 14 |  | <b>PowerCraft Technology</b><br>Jelle de Jong <jelledejong@powercraft.nl><br>GPLv3<br>REVISION: v0.1.4j<br>DRAWN BY: OpenARM SBC Project |  |
|--|--|--|--|



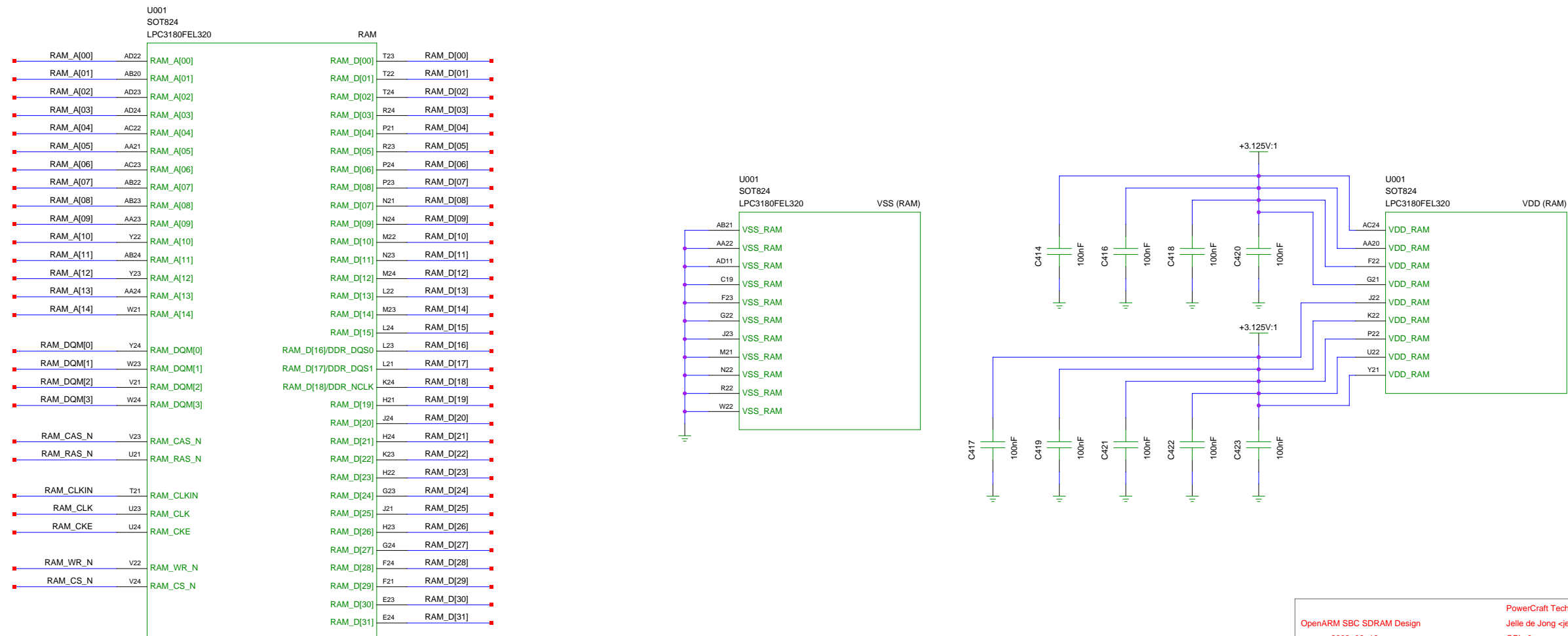
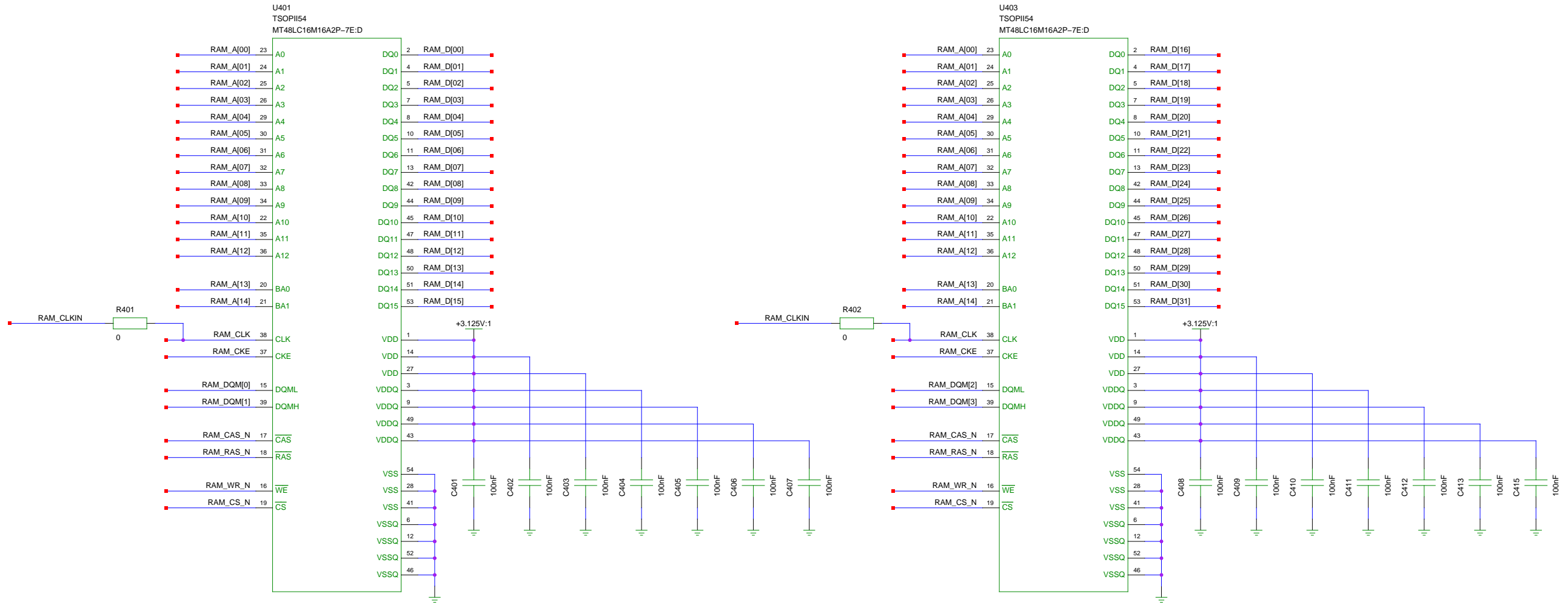
There is no supervisory circuit for the +1.2V, this is because I can't find a good and available IC. I combine the supervisors on one reset line, and hope this gives enough reliability. Please see the documentation for more info.

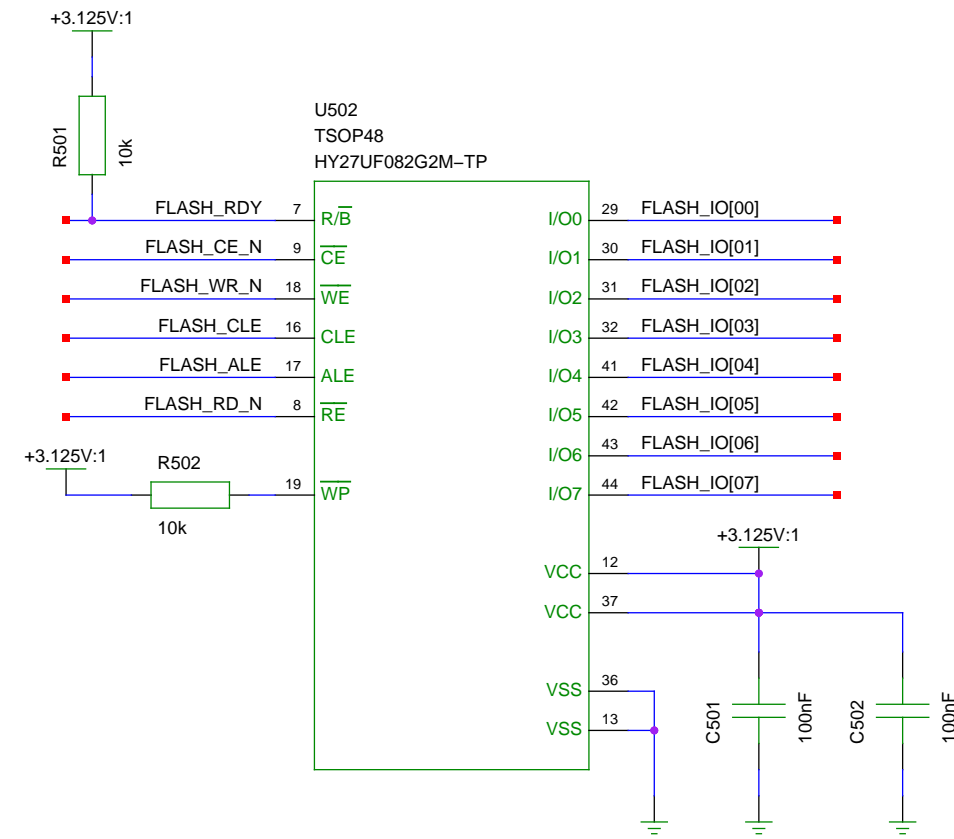
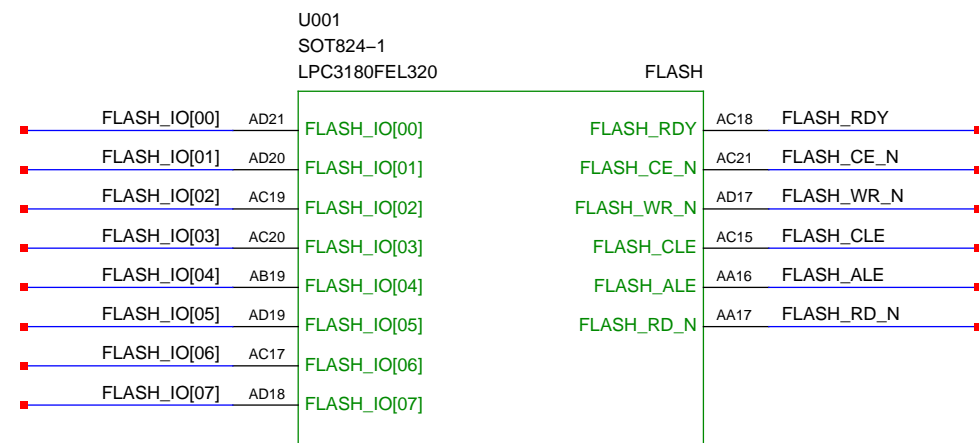
|  |                   |  |  |
|--|-------------------|--|--|
| <b>OpenARM SBC Power On Design</b><br>TITLE 2008-08-13 |                   | <b>PowerCraft Technology</b><br>Jelle de Jong <jelledejong@powercraft.nl><br>GPLv3 |  |
| FILE: ../openarm/power-on-reset.sch                    | REVISION: v0.1.3j | DRAWN BY: OpenARM SBC Project  |  |
| PAGE 02 OF 14  |                   |  |  |

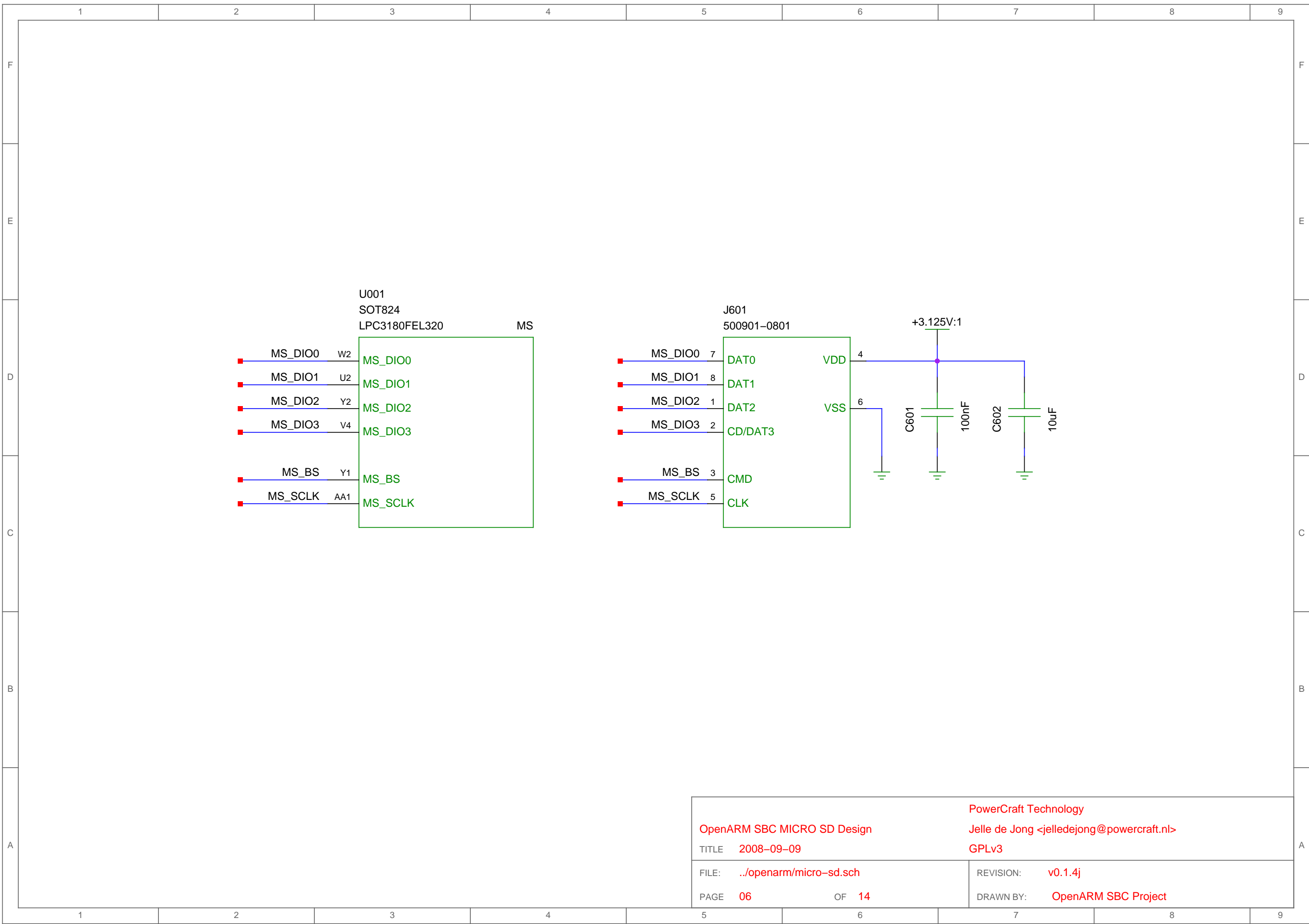


source=/home/jelle/openarm/doc/JTAG/information.txt

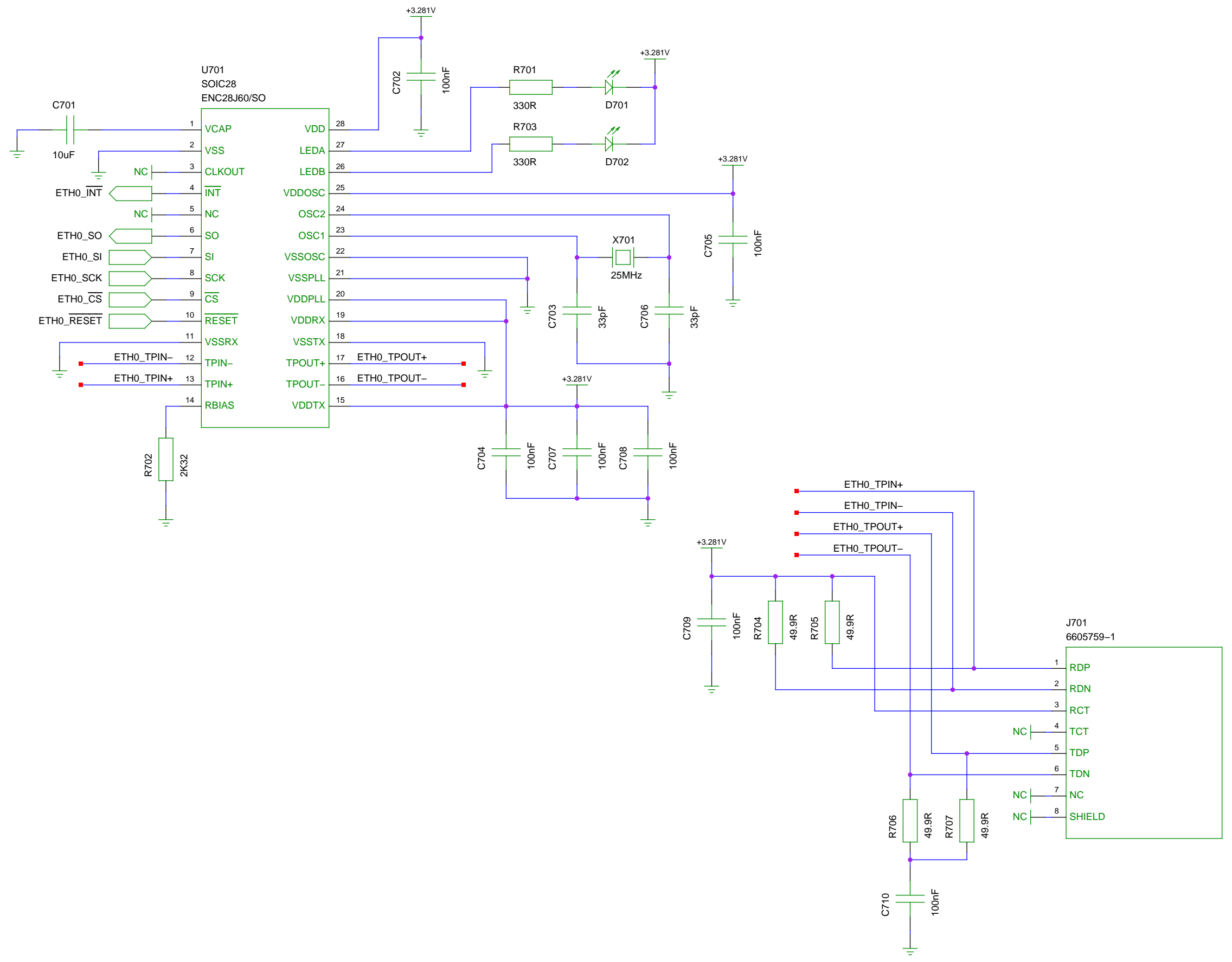
|  |       |  |  |
|--|-------|--|--|
| <b>OpenARM SBC JTAG Design</b><br>TITLE 2008-08-21 |       | <b>PowerCraft Technology</b><br>Jelle de Jong <jelledejong@powercraft.nl><br>GPLv3 |  |
| FILE: ..../openarm/jtag.sch                        |       | REVISION: v0.1.5j  |  |
| PAGE 03  | OF 14 | DRAWN BY: OpenARM SBC Project  |  |



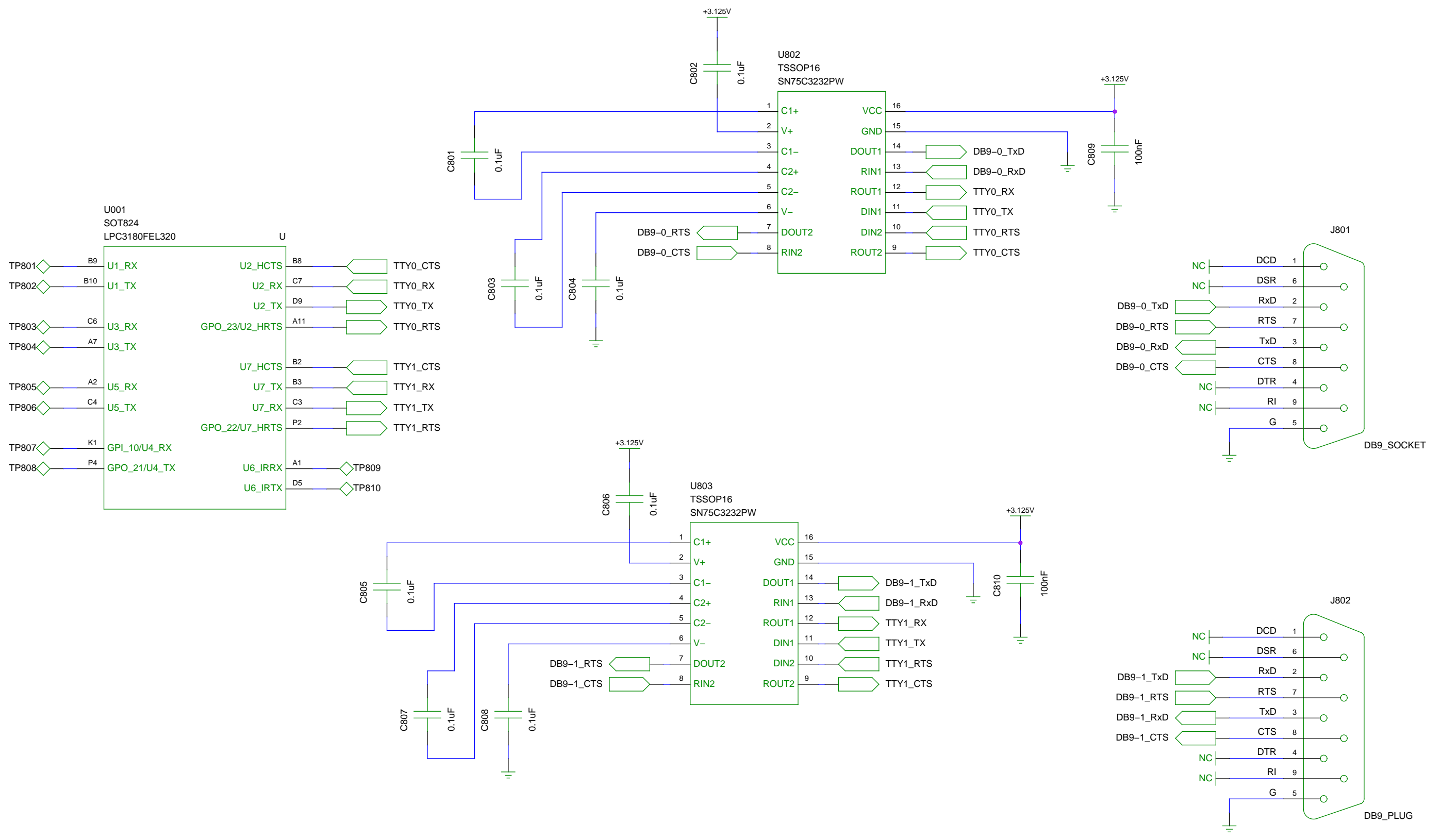




|  |                         |  |                     |
|--|-------------------------|--|---------------------|
| <b>OpenARM SBC MICRO SD Design</b><br>TITLE 2008-09-09 |                         | <b>PowerCraft Technology</b><br>Jelle de Jong <jelledejong@powercraft.nl><br>GPLv3 |                     |
| FILE:  | ../openarm/micro-sd.sch | REVISION:  | v0.1.4j             |
| PAGE   | 06 OF 14                | DRAWN BY:  | OpenARM SBC Project |



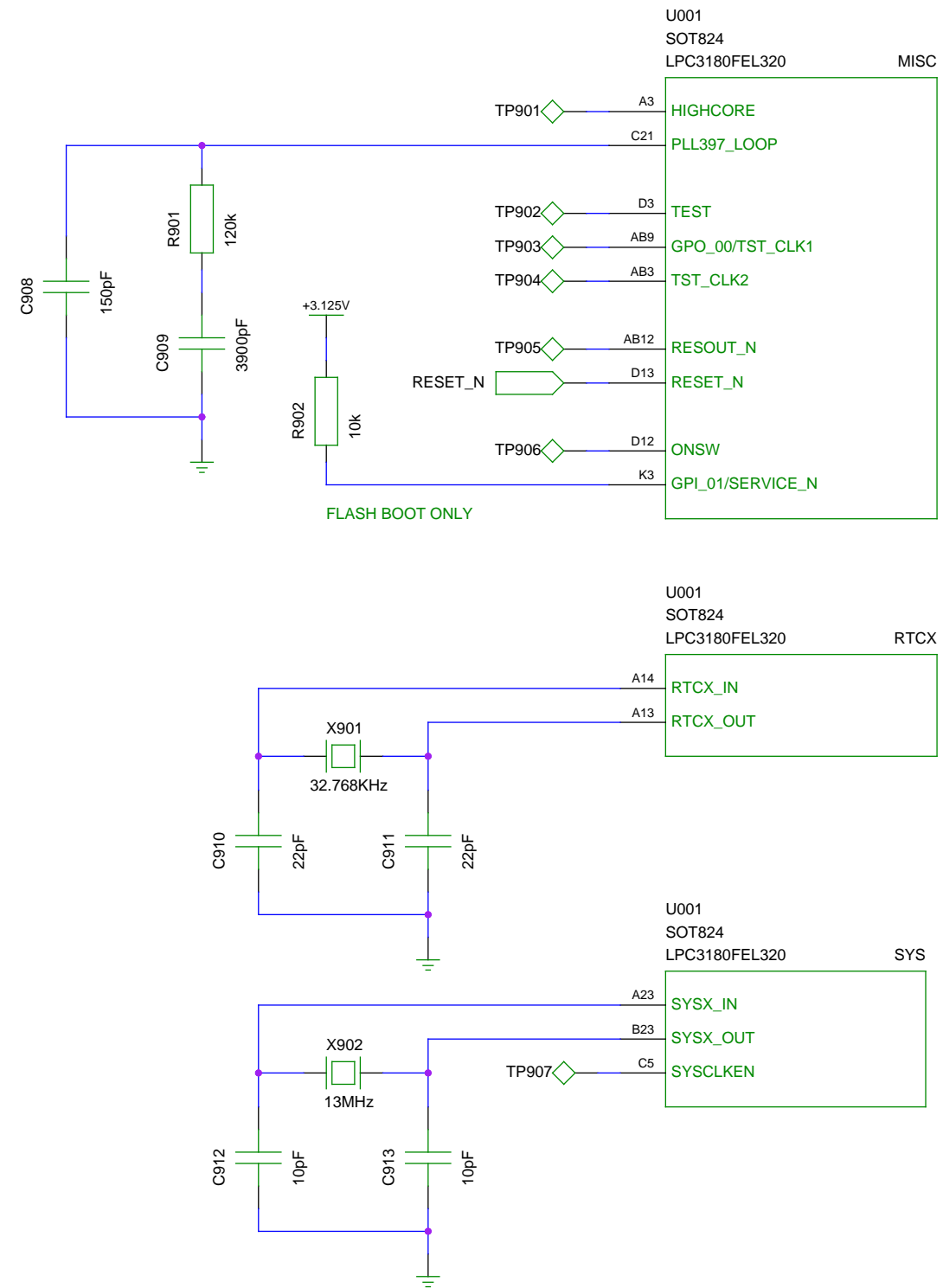
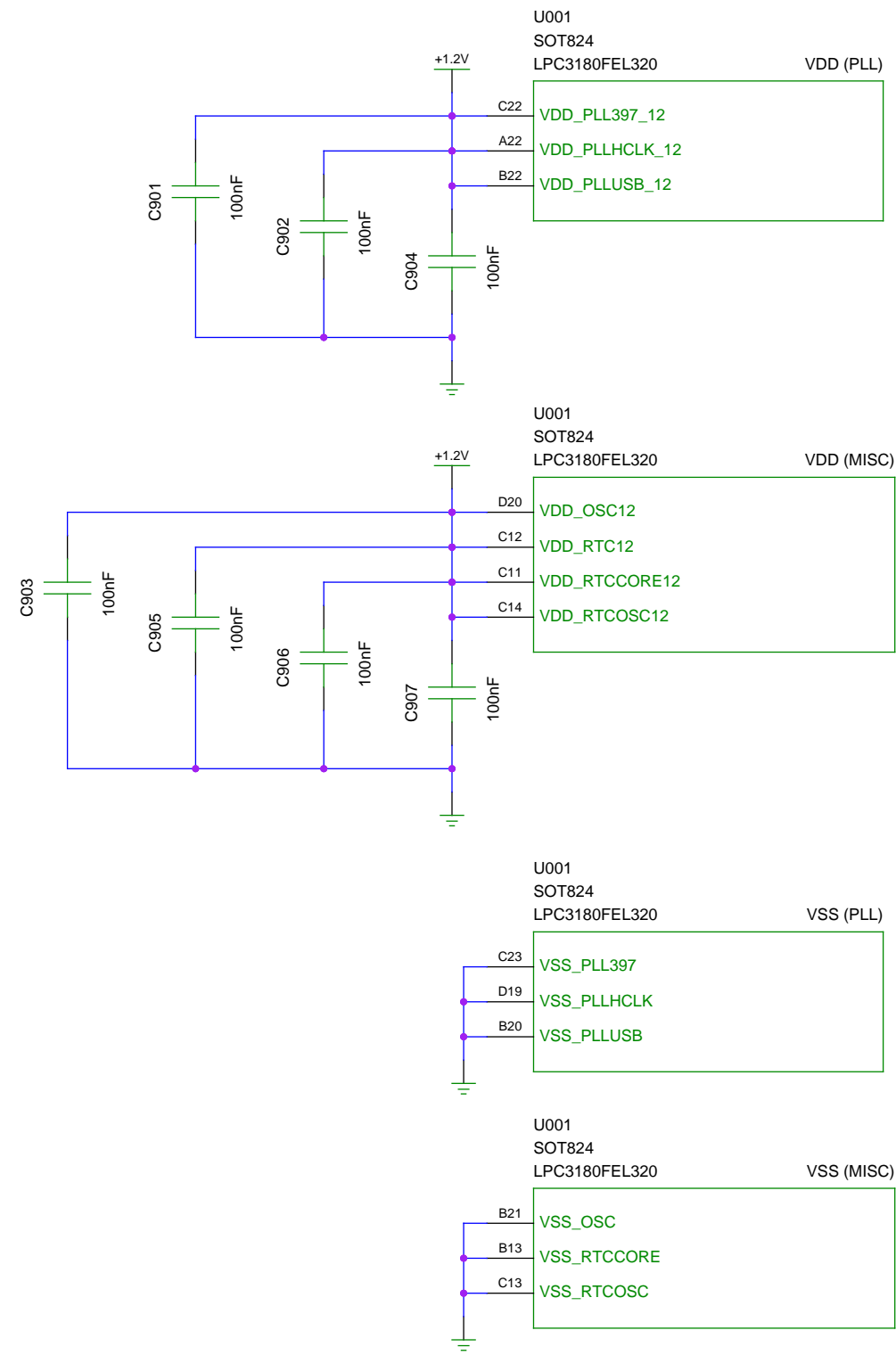
|                               |       |   |  |
|-------------------------------|-------|---|--|
| OpenARM SBC Ethernet Design   |       | PowerCraft Technology                     |  |
| TITLE 2008-09-10              |       | Jelle de Jong <jelledejong@powercraft.nl> |  |
| FILE: ../openarm/ethernet.sch |       | REVISION: v0.1.3j                         |  |
| PAGE 07                       | OF 14 | DRAWN BY: OpenARM SBC Project             |  |

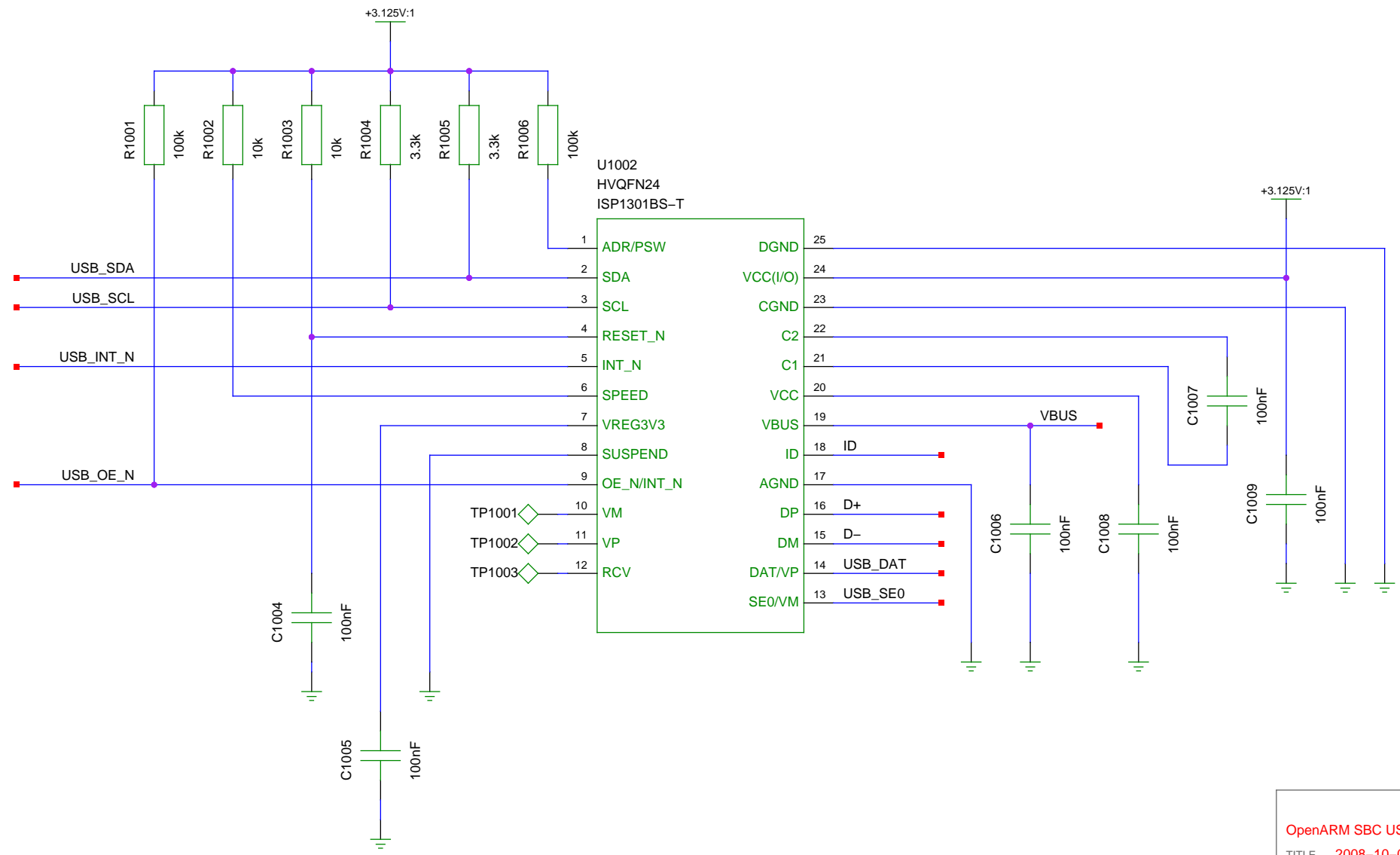
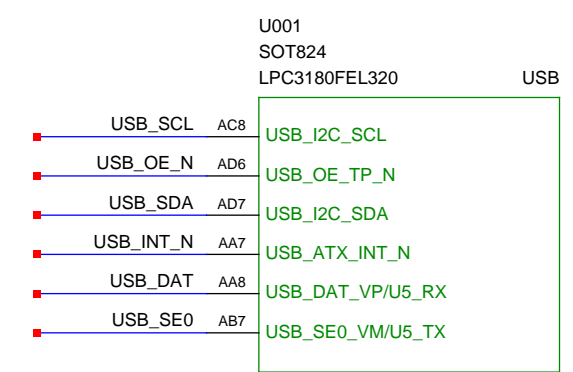
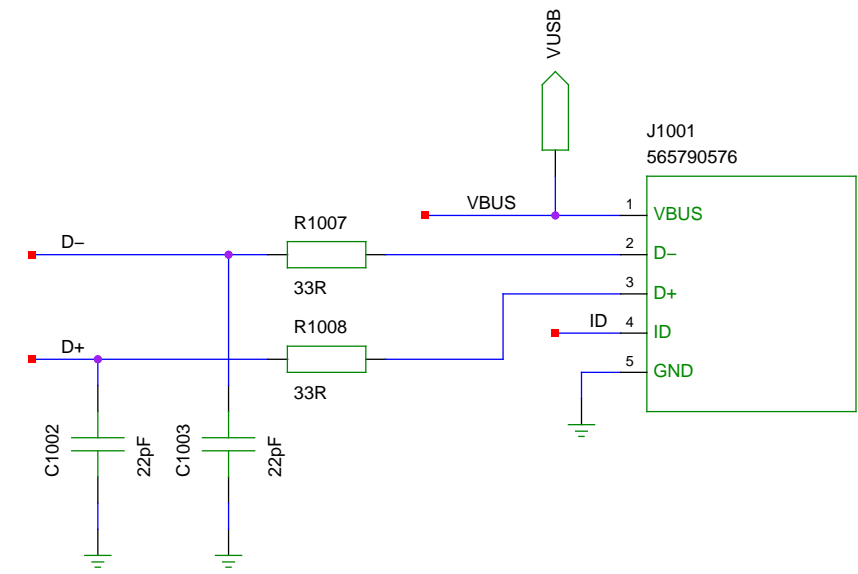
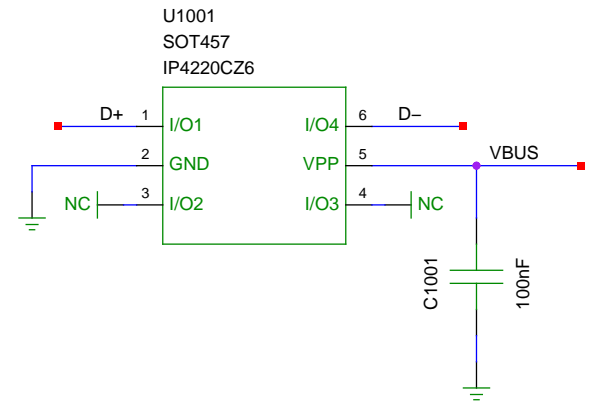


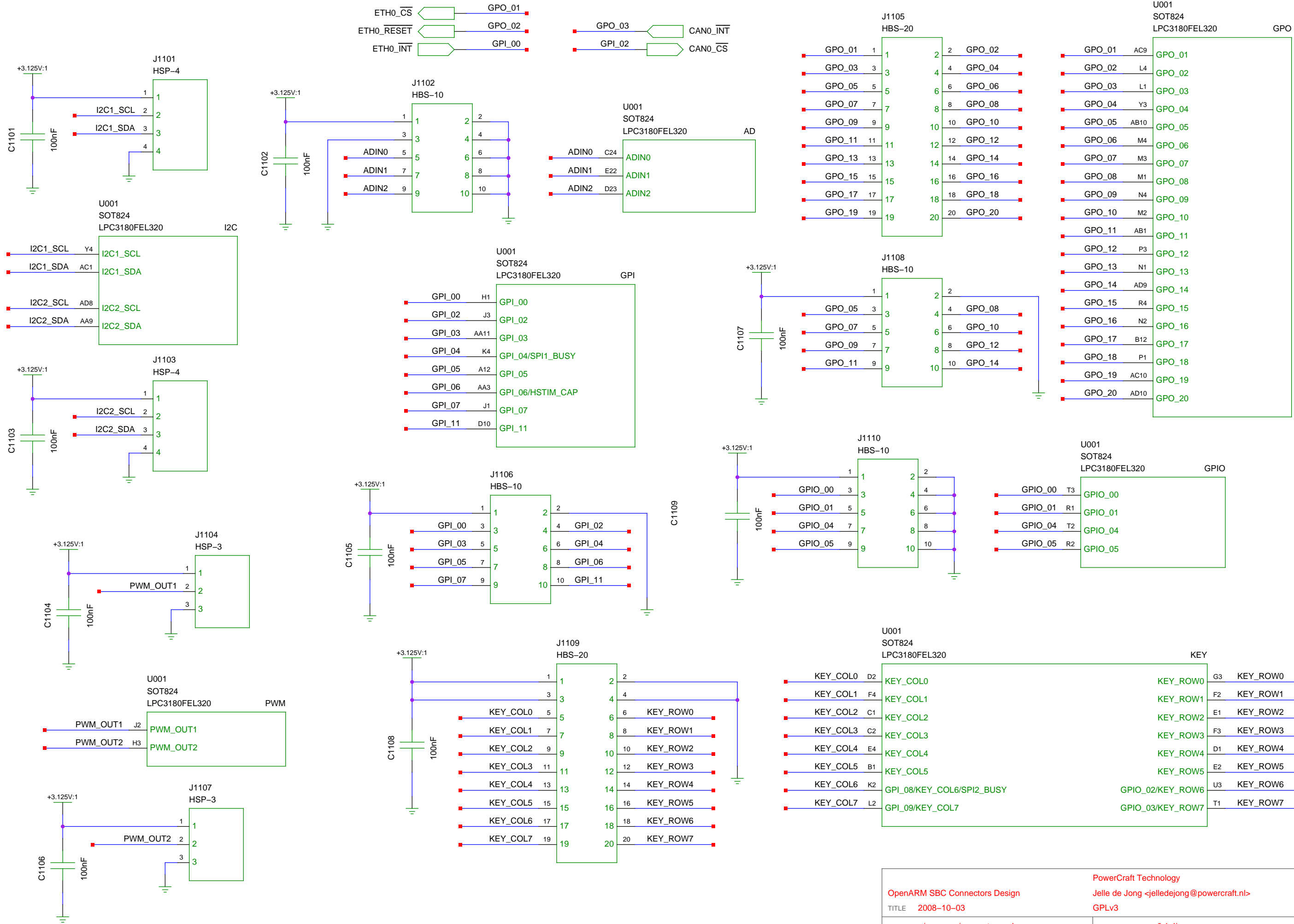
Please check all connections of the DB9 connectors and it's plug and socket footprint  
 To keep things readable I used input and output symbols even while they are not  
 used in an other schematic

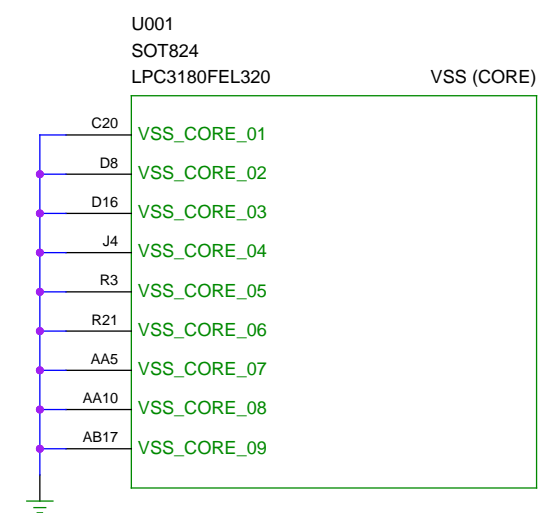
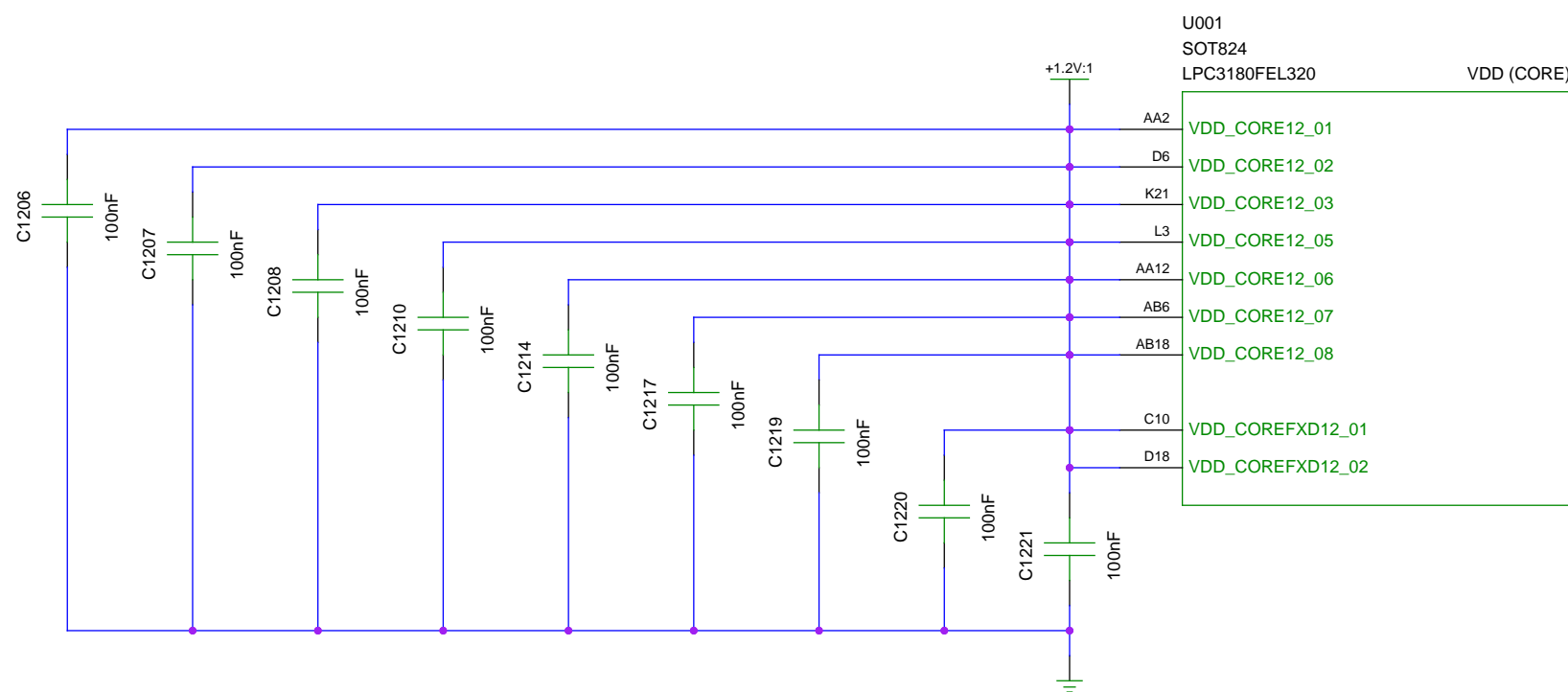
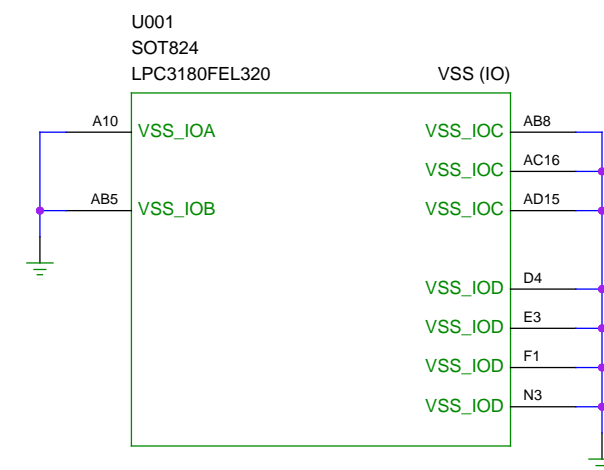
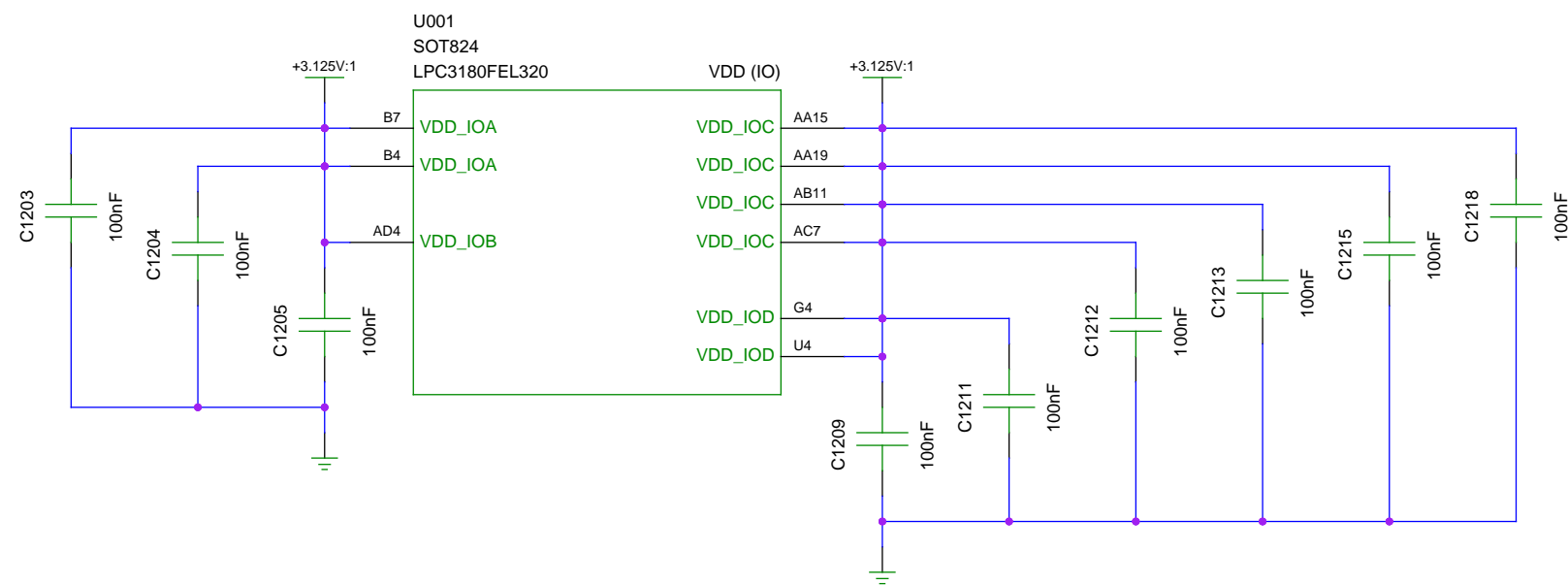
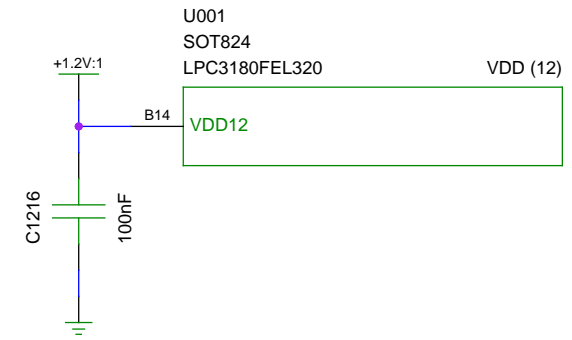
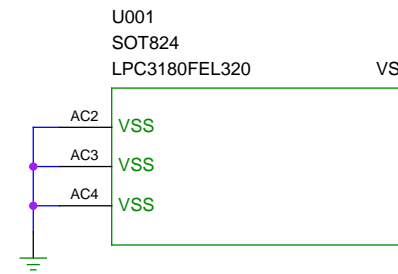
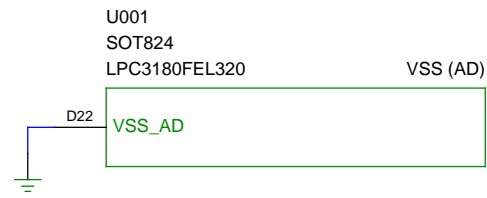
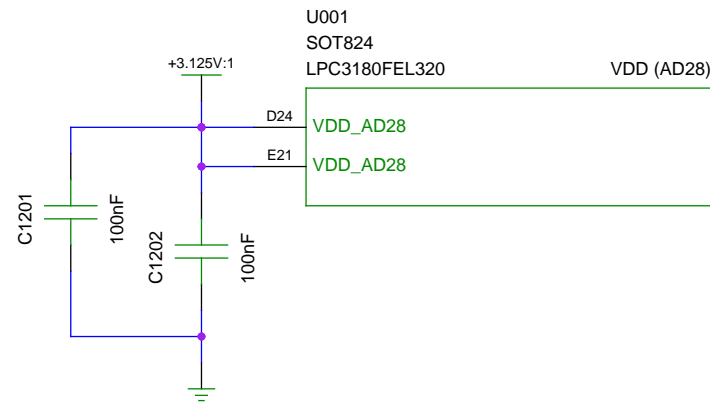
|   |                               |  |  |
|---|-------------------------------|--|--|
| <b>OpenARM SBC RS232 Design</b><br>TITLE 2008-09-11 |                               | <b>PowerCraft Technology</b><br>Jelle de Jong <jelledejong@powercraft.nl><br>GPLv3 |  |
| FILE: ..\openarm\rs232.sch                          | REVISION: v0.1.4j             |  |  |
| PAGE 08 OF 14                                       | DRAWN BY: OpenARM SBC Project |  |  |

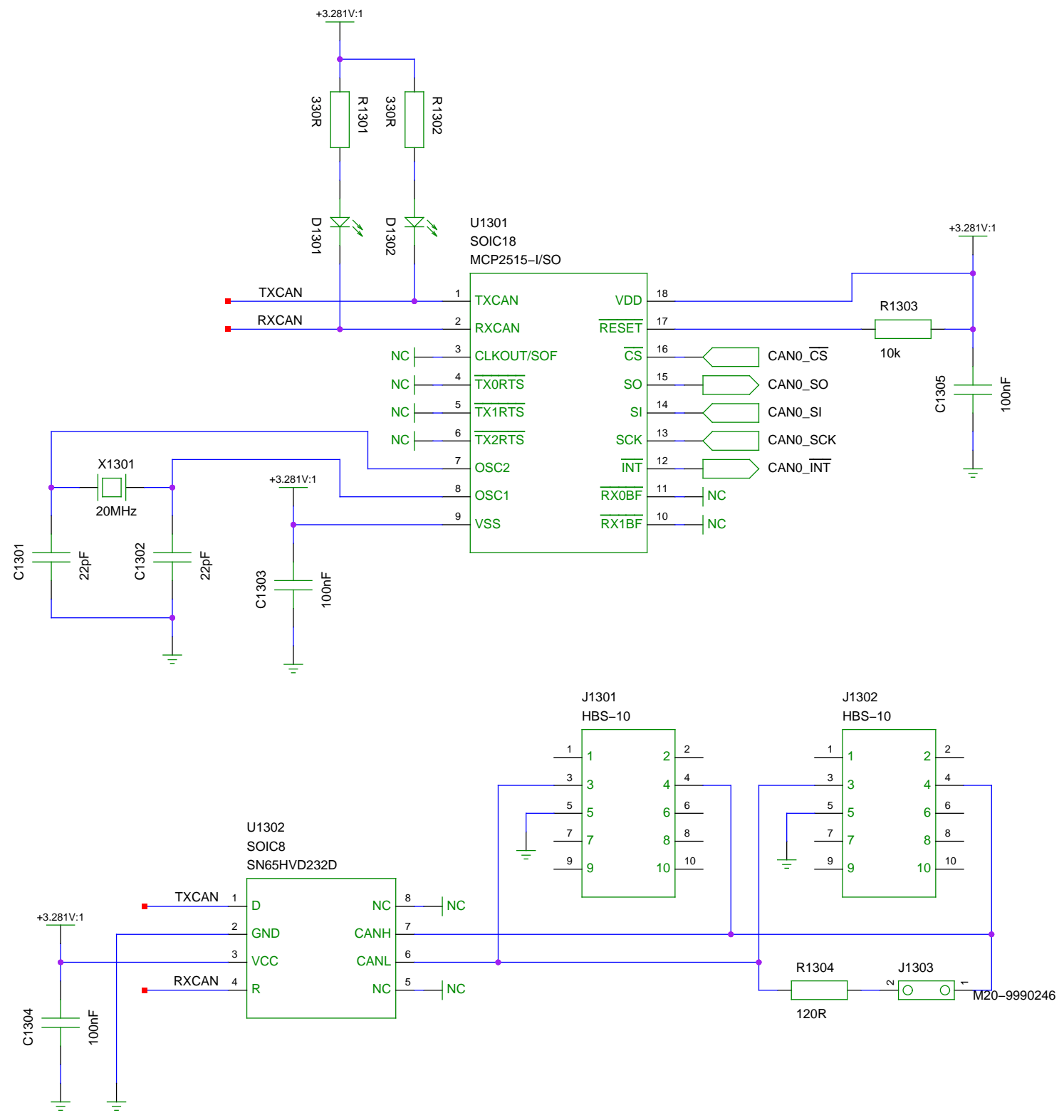












|                          |  |   |  |
|--------------------------|--|---|--|
| OpenARM SBC CAN Design   |  | PowerCraft Technology                     |  |
| TITLE 2008-10-09         |  | Jelle de Jong <jelledejong@powercraft.nl> |  |
| FILE: ../openarm/can.sch |  | GPLv3                                     |  |
| PAGE 13 OF 14            |  | REVISION: v0.1.2j                         |  |
|                          |  | DRAWN BY: OpenARM SBC Project             |  |

